

KBB2E225/40 BACKWARD CURVED IMPELLER BLOWER



KBB2E225/40

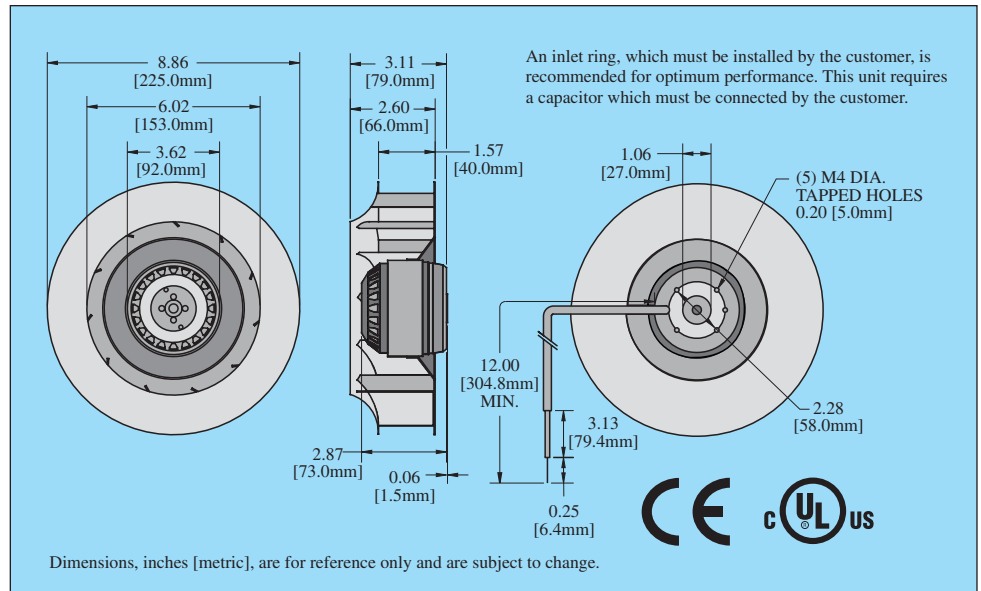
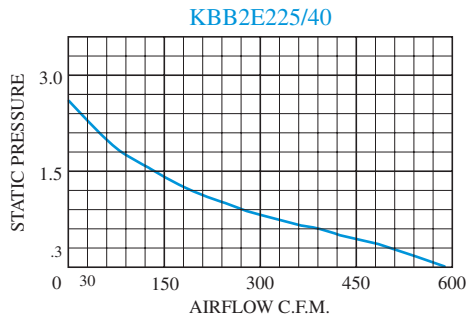
STANDARD FEATURES

Low noise level
588 CFM capacity
Available in 115 and 230 VAC
Compact size
Precision balanced
External rotor design
Precision ball-bearing motors
UL and CE approved

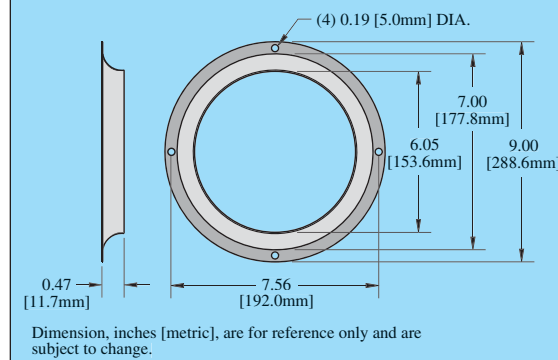
TECHNICAL DATA*

Model	CFM@ 0" S.P.	Cutoff S.P.	Amps	Watts
KBB2E225/40	588	2.6	1.16	139

*60 Hz. operation.



OPTIONAL INLET RING P/N: 7026-00-30GLV



Airflow vs. static pressure curves are shown for 60 Hz input.

CONVERSION FACTORS

Multiply airflow in cubic feet per minute (CFM) by:

- 1.7 to obtain airflow in cubic meters per hour (m³/hr.)
- 0.47 to obtain airflow in liters per second (L/S)

Multiply static pressure in inches of water ("H₂O) by:

- 25.4 to obtain static pressure in millimeters of water (mm H₂O)
- 249 to obtain static pressure in Pascals (Pa)

HOW TO ORDER

Specify model number:

115 VAC: KBB2E225/40

230 VAC: K2BB2E225/40

For assistance in model selection, refer to the *Blower and Fan Selection Guides*, or contact **KOOLTRONIC**.

CALL 1-800-321-KOOL (5665)
or FAX 609-466-1114

**POPULAR MODELS ARE
STOCKED AND READY
TO SHIP**

TYPICAL INSTALLATION

