

# K7BBE195/35 & K8BBE195/35 BACKWARD CURVED IMPELLER BLOWER



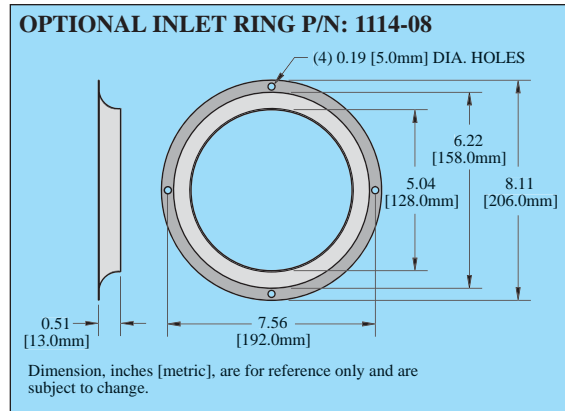
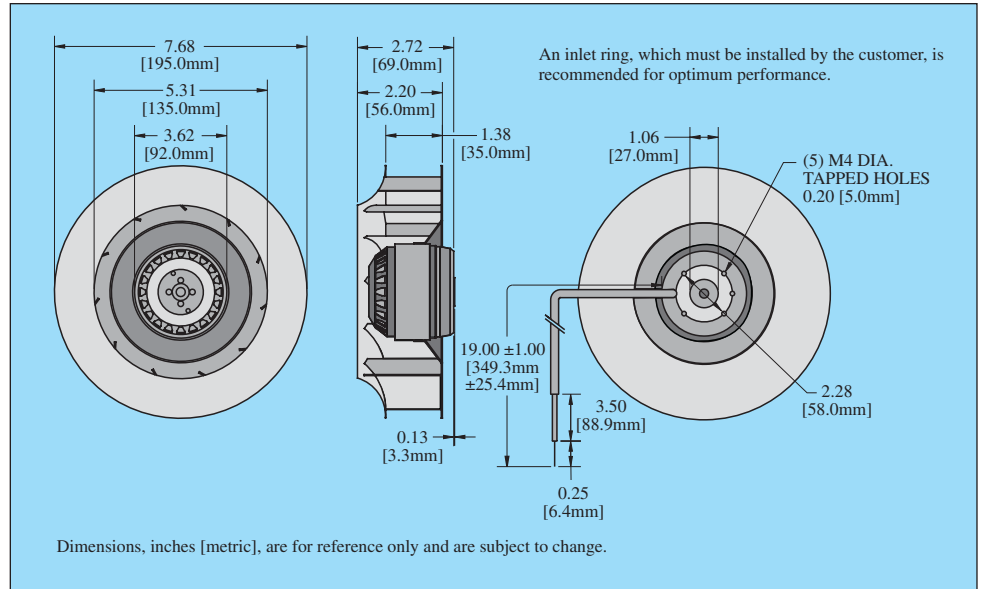
K7BBE195/35

## STANDARD FEATURES

- Low noise level
- 310 & 315 CFM capacity
- Available in 24 and 48 VDC
- Compact size
- Precision balanced
- External rotor design
- Precision ball-bearing motors

## TECHNICAL DATA

Model	Volts	CFM@		Cutoff	
	DC	0" S.P.	S.P.	Amps	Watts
K7BBE195/35	24	315	1.42	1.85	44
K8BBE195/35	48	310	1.82	1.13	50



## HOW TO ORDER

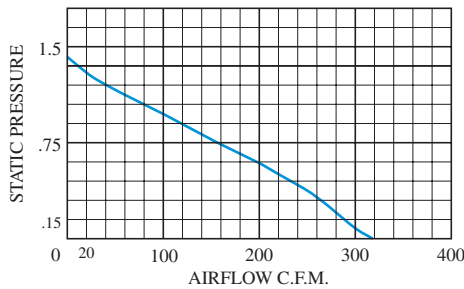
Specify model number.

For assistance in model selection, refer to the Blower and Fan Selection Guides, or contact **KOOLTRONIC**.

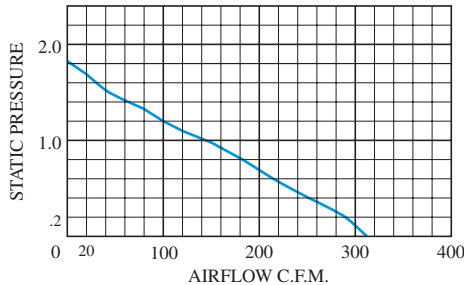
CALL 1-800-321-KOOL (5665)  
or FAX 609-466-1114

**POPULAR MODELS ARE STOCKED AND READY TO SHIP**

K7BBE195/35



K8BBE195/35



Airflow vs. static pressure curves are shown for 60 Hz input.

## CONVERSION FACTORS

Multiply airflow in cubic feet per minute (CFM) by:

- 1.7 to obtain airflow in cubic meters per hour ( $m^3/hr.$ )
- 0.47 to obtain airflow in liters per second (L/S)

Multiply static pressure in inches of water ( $"H_2O$ ) by:

- 25.4 to obtain static pressure in millimeters of water (mm  $H_2O$ )
- 249 to obtain static pressure in Pascals (Pa)

## TYPICAL INSTALLATION

