

# GUARDIAN/GUARDIANX DP60 NEMA 4 or 4X AIR CONDITIONERS

Model	NEMA Rating	UL/CUL Listed or Recognized	BTU/H Rating	95/95 Rating	Ambient Temp.		Volts	*	** Running Hz	Weight lbs	kg	
					°F Max.	°C Min.						
K2NA6C26DP60L	4	Listed	26000	22800	131	-20	55	-29	208/230	60	24.0/21.2	262 119
K2NA6C26DP60L	4	Listed	20800	18300	131	-20	55	-29	220	50	21.0	262 119
K2NA6C26DP60LV	4X	Listed	26000	22800	131	-20	55	-29	208/230	60	24.0/21.2	262 119
K2NA6C26DP60LV	4X	Listed	20800	18300	131	-20	55	-29	220	50	21.0	262 119

\* 115V 60 Hz models perform at reduced capacity when operated at 100V 50 Hz.  
\*\* Rating shown is for operation at maximum ambient temperature.

## STANDARD FEATURES

- Baked Powder Finish (NEMA 4 models)
- Closed-Loop Cooling
- Compressor Short Cycle Protector
- Condenser Blower Controller
- Epoxy-Coated Condenser and Evaporator Coils
- Filters (2)
- Heavy-duty Steel Shell (NEMA 4 models)
- Internal Corrosion Protection (NEMA 4X models)
- NEMA 4 or 4X Rating Maintained (UL50)
- Programmable Temperature Alarm
- Programmable Thermostat Available
- Six-Foot [1.8m] (minimum) 3-Wire Power Cord
- Stainless Steel Shell (NEMA 4X models)
- UL/CUL Listed
- Zero ODP Refrigerant

## ACCESSORIES AND OPTIONS

- Enclosure Heater
- Filter Recoating Adhesive
- Lead-Lag Controller
- Remote Monitoring
- Remote Thermostat Relay
- Replacement Filters
- Special materials or finishes
- Special motors, line cords or connectors

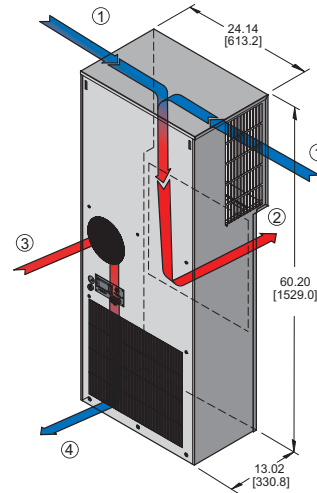


**NEMA  
TYPE 4 OR 4X  
MAINTAINED**

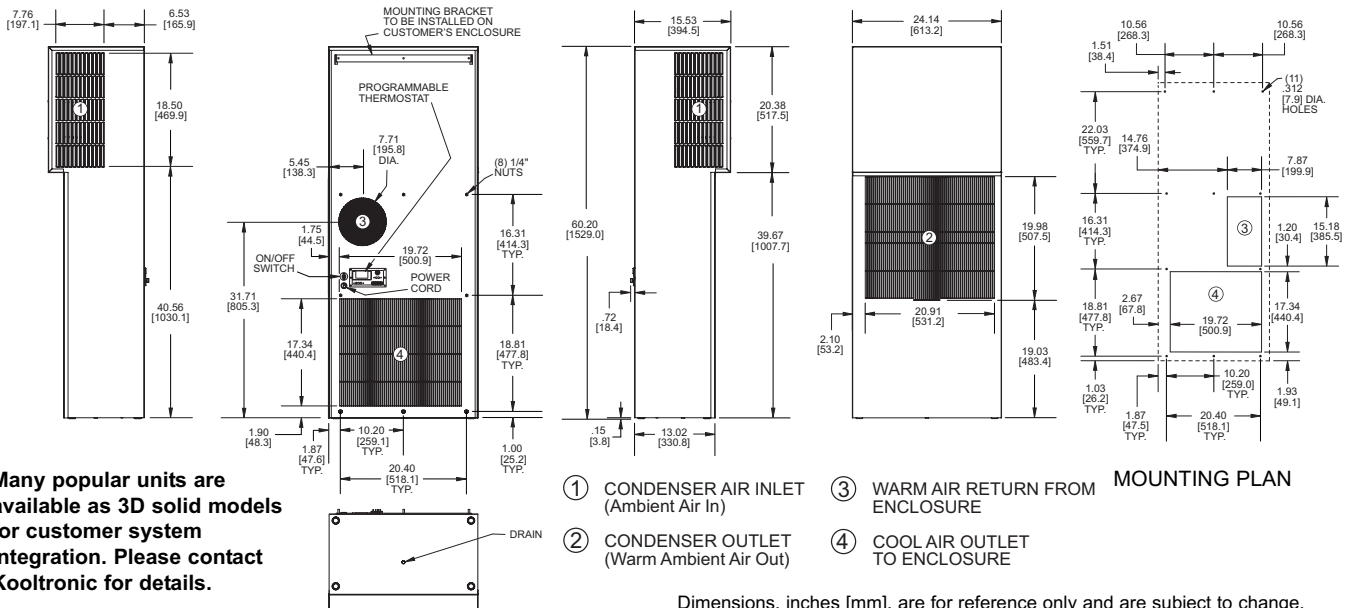


Find additional information on this model at [kooltronic.com](http://kooltronic.com), or use the Technical Documents QR code below.

Technical Documents



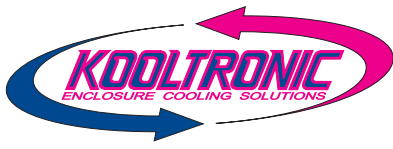
## DRAWINGS



Many popular units are available as 3D solid models for customer system integration. Please contact Kooltronic for details.

Dimensions, inches [mm], are for reference only and are subject to change.

nema dp60i.qxd 4/9/18



# GUARDIAN/GUARDIANX DP60 NEMA 4 or 4X AIR CONDITIONERS

## DESCRIPTION

The **Guardian/GuardianX** Indoor/Outdoor Air Conditioners are designed specifically for **NEMA 4** or **4X** enclosure applications that require washdown or are subject to outdoor storm conditions. All **Guardian** models have a **NEMA 4** Rating. The **GuardianX**, with the **NEMA 4X** Rating, is offered with a Stainless Steel Shell and Internal Corrosion Protection. These Air Conditioners have been engineered to operate under the most demanding industrial applications. The components used in these models have been specially designed and tested to maintain cooling efficiency in temperature controlled enclosures in bottling plants, the automotive industry and other commercial/manufacturing applications.

With Epoxy-coated condenser coils and tubing, the closed-loop cooling system of the **Guardian/GuardianX** offers added security by providing an operating environment safe from harsh ambient conditions.

The features engineered into all of the **Guardian/GuardianX Series** models make them a tamper-resistant choice for external applications. Combined with a NEMA 4 Rating, with all models UL/CUL Listed, the **Guardian Series** is an excellent choice for telecommunications or other outdoor cabinet applications.

## FEATURES AND BENEFITS (STANDARD)

All models UL/CUL Listed, a standard of safety.

CFC-free refrigerant provides a zero ozone depletion potential.

Closed-loop cooling provides stable temperature control while excluding dust and humidity from the electrical enclosure.

Compressor short-cycling protection extends compressor life.

Condenser impeller cycling provides stable capacity and temperature control.

Condenser filtration to maintain peak thermal performance extends compressor life.

Internal corrosion protection to increase reliability in hostile environments.

NEMA 12, 3R & 4 ratings for compatibility with listed electrical enclosures.

Programmable thermostat capable of remote monitoring and control is available.

Programmable temperature alarm to alert if early action required.

Stainless steel shell for NEMA 4X corrosive environments (NEMA 4X models).

Both evaporator and condenser coils are epoxy coated, prolonging unit life.

## FEATURES AND BENEFITS (OPTIONAL)\*

Enclosure heater eliminates damaging condensation, increasing reliability of electrical enclosure components.

Lead-lag control for two air conditioners provides for capacity control, and alternates usage, increasing reliability.

Mounting adapter plates are offered to replace another manufacturer's unit.

Remote monitoring provides temperature data for warning of early action required.

Remote thermostat relay for control by a user-supplied control system.

Special paint finishes.

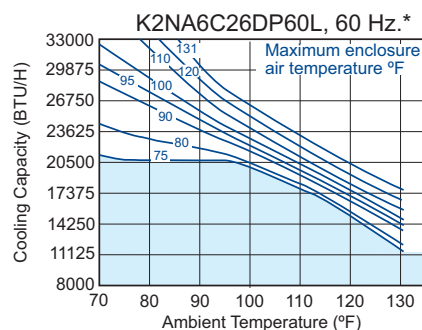
\*Contact KOOLTRONIC for more information.

## REPLACEMENT FILTERS

The DP60L filter Part No. is 19381F (9.25" x 19.38" x 0.34" [235.0mm x 492.2mm x 8.6mm]). The **Guardian Series DP60L** uses two filters.



## PERFORMANCE



Operation within shaded area not recommended.

\* Operation at 50 Hz will be 10% less.