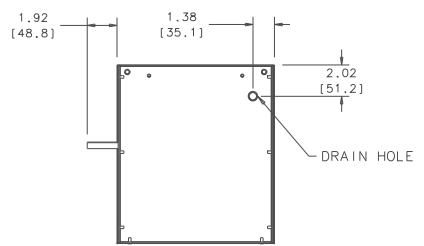
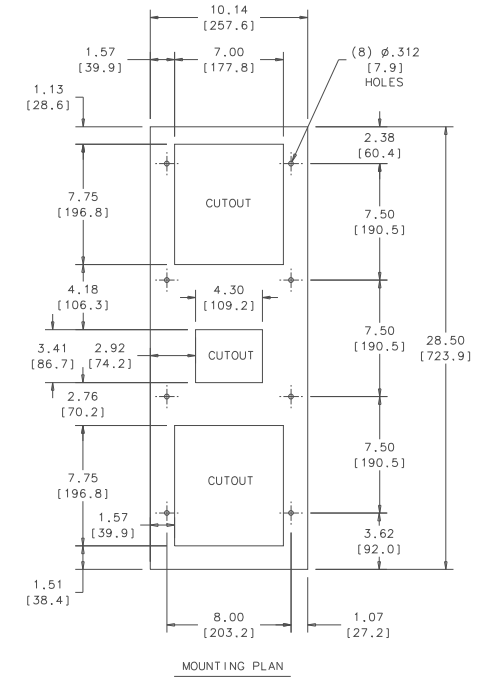
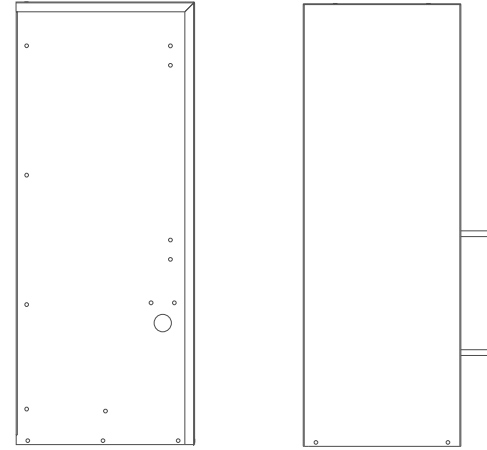
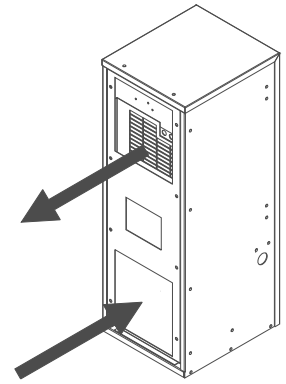
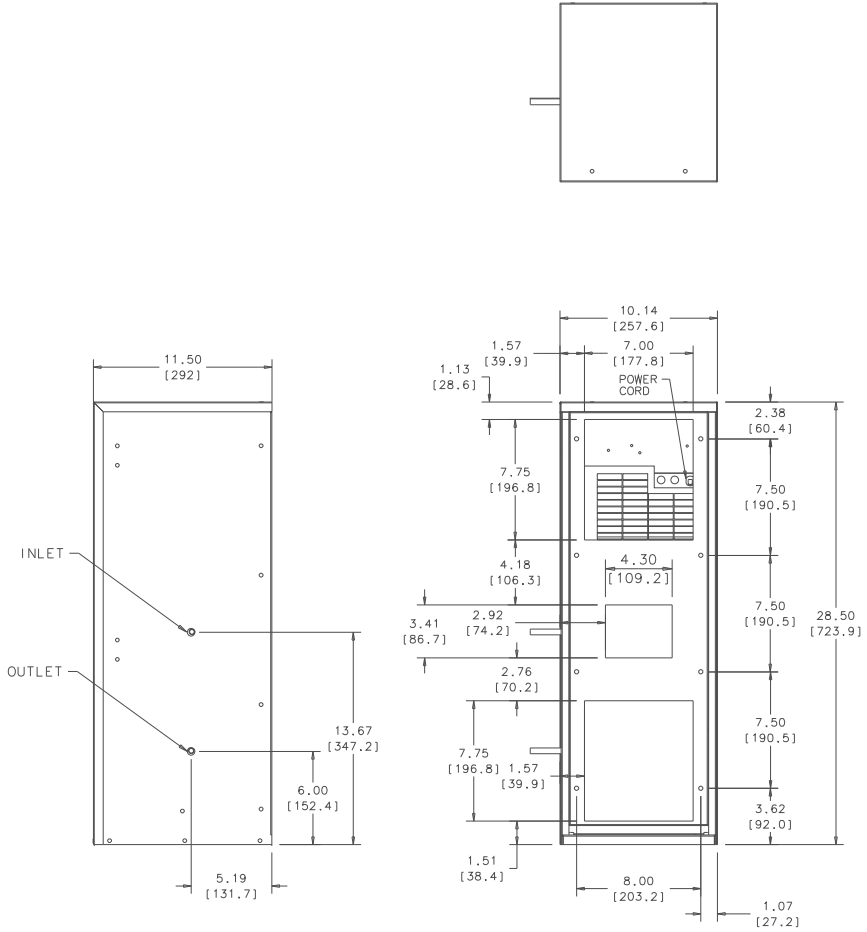


THIS DOCUMENT IS THE PROPERTY OF KOOLTRONIC, INC. AND CONTAINS PROPRIETARY AND CONFIDENTIAL INFORMATION WHICH MUST NOT BE DUPLICATED, USED OR DISCLOSED TO OTHERS, EXCEPT AS EXPRESSLY AUTHORIZED IN WRITING BY KOOLTRONIC, INC.

REVISONS		DESCRIPTION	DATE	APPROVED
SYM	NOTICE			
-	EC 04/129	NEW DRAWING RELEASE	7/16/04	SDS
A	EC 16/194	PICTORIAL UPDATE, ADDED MTG PLAN.	4/26/16	DW-



ALL DIMENSIONS ARE IN INCHES. DIMENSIONS DESIGNATED IN ARE IN MILLIMETERS. UNLESS OTHERWISE SPECIFIED TOLERANCES ARE NON-DECIMALATIVE.				DRAWN DATE		HOPEWELL, NJ VENTURA, CA USA	
TOL. ON	INCHES	M	CHECKED	DATE	TITLE		
.xx	: .02	:	Dave W/Steve S	4/26/16	GENERAL ARRANGEMENT KPHE28		
.xxx	: .010	:	ENG	4/26/16	CODE IDENT. NO. SIZE DWG. NO. REV		
ANGULAR	: 1/2	:	Ron Kaufman MFG. ENG.		06223 D GA00385A A		
MATERIAL					SCALE: 25=1 CAD. REF. SHEET 1 OF 1		
UNIT	KPHE28		APPROVED Joe Milko	4/26/16			

