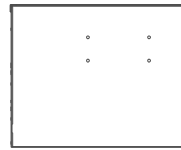
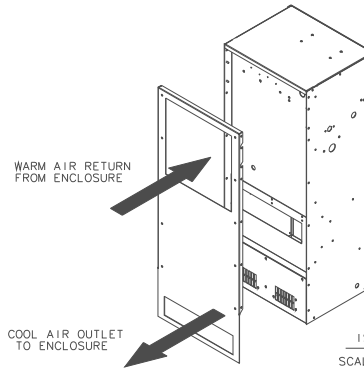


THIS DOCUMENT IS THE PROPERTY OF KOOLTRONIC, INC. AND CONTAINS PROPRIETARY AND CONFIDENTIAL INFORMATION WHICH MUST NOT BE DUPLICATED, USED OR DISCLOSED TO OTHERS, EXCEPT AS EXPRESSLY AUTHORIZED IN WRITING BY KOOLTRONIC, INC.

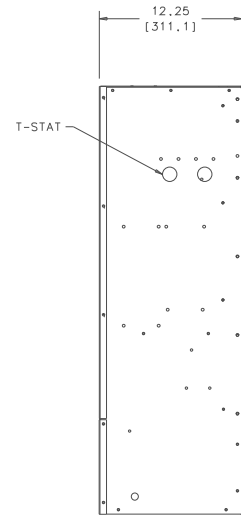
REVISONS		DESCRIPTION	DATE	APPROVED
SYM	NOTICE			
-	EC 07/339	NEW DRAWING RELEASE.	8/23/07	DW-
A	EC 16/103	MTG PLAN HOLE DIAMETER WAS .25".	2/17/16	DW-



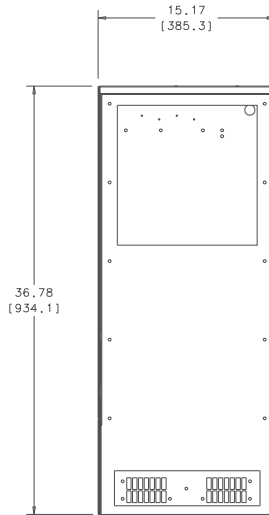
TOP VIEW



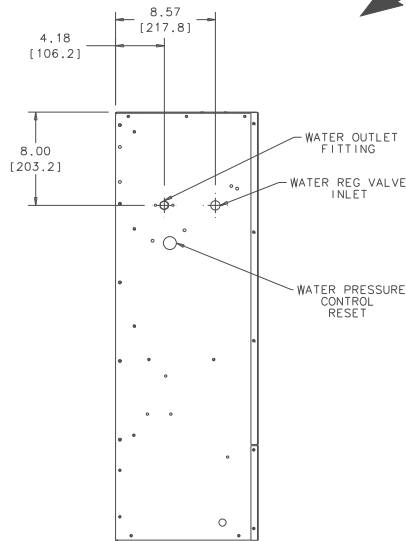
ISO VIEW
SCALE: .125=1



LEFT VIEW



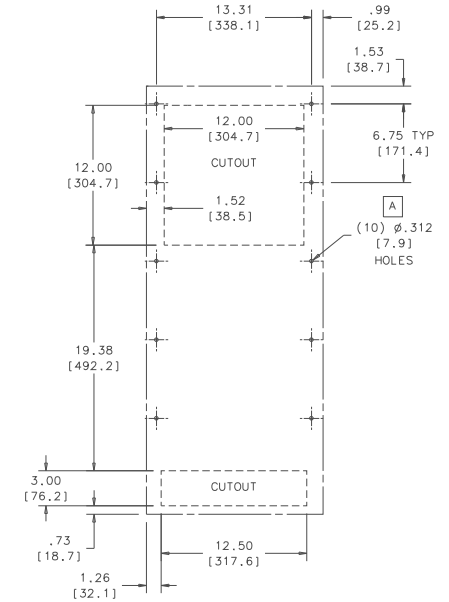
FRONT VIEW



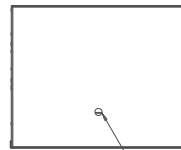
RIGHT SIDE VIEW



BACK VIEW



MOUNTING PLAN



BOTTOM VIEW

CONDENSATE DRAIN

ALL DIMENSIONS ARE IN INCHES. DIMENSIONS DESIGNATED MM ARE IN MILLIMETERS. UNLESS OTHERWISE SPECIFIED TOLERANCES NON-ACCUMULATIVE.				DRAWN: D. WALDRON 8/23/07		DATE: 8/24/07			
TOL. ON	INCHES	MM	CHECKED	STEVE SCHMIERER	8/24/07	TITLE			
.XX	± .02	±	ENG.	BM	8/24/07	GENERAL ARRANGEMENT AIR CONDITIONER			
.XXX	± .010	±	MFG. ENG.			CODE IDENT. NO. SIZE DWG. NO. REV			
ANGULAR	± 1/2	°				06223	D	GA00429A	REV A
MATERIAL						SCALE: 1:125=1	CAD. REF.	SHEET 1	OF 1
UNIT	WNP36		APPROVED	JTM	8/27/07				

