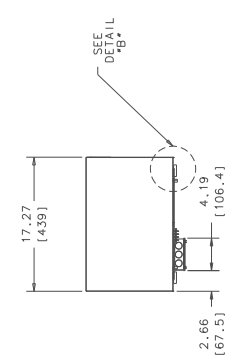
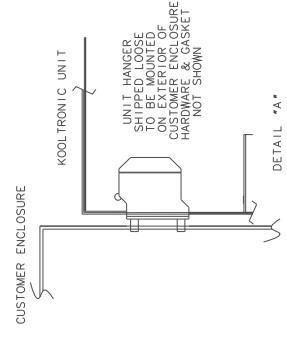
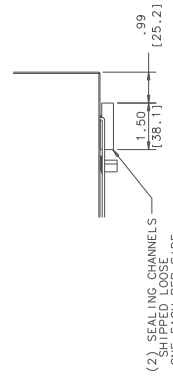


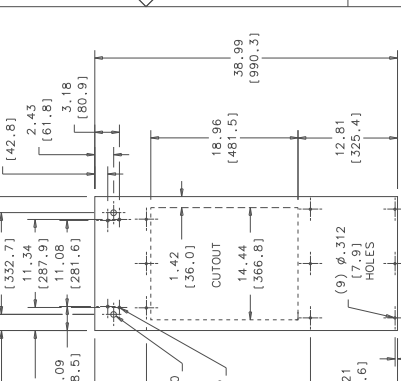
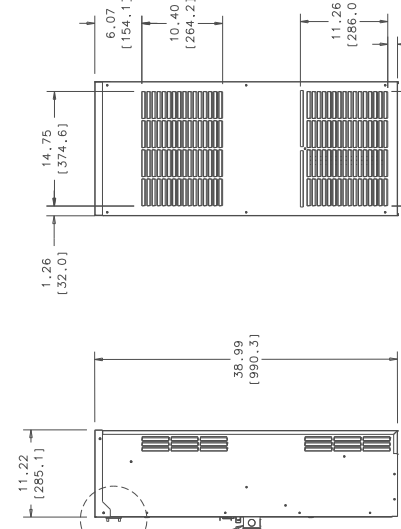
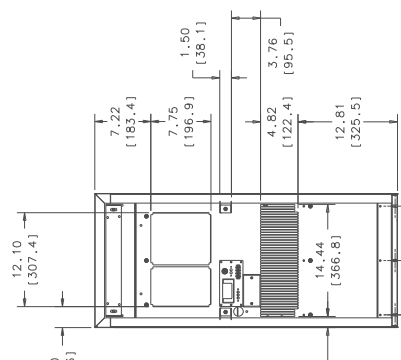
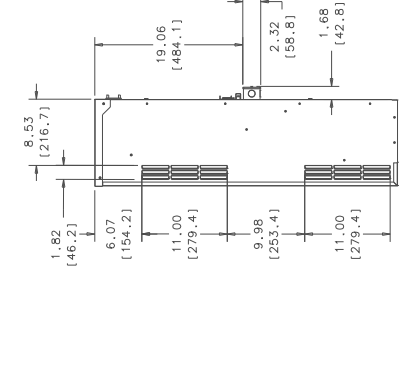
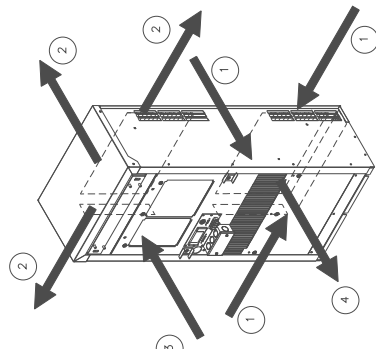
THIS DOCUMENT IS THE PROPERTY OF KOOLTRONIC, INC. AND CONTAINS PROPRIETARY AND CONFIDENTIAL INFORMATION WHICH MUST NOT BE REPRODUCED, COPIED, OR DISCLOSED TO OTHERS, EXCEPT AS EXPRESSLY AUTHORIZED IN WRITING BY KOOLTRONIC, INC.

SYN	NOTICE	DESCRIPTION	DATE	APPROVED
—	EC 14/7/159	NEW DRAWING RELEASE	12/21/15	MSW

A B C D E F



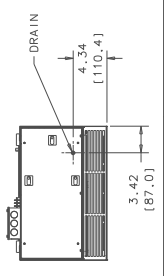
- 1 CONDENSER AIR INLET
- 2 CONDENSER AIR OUTLET
- 3 WARM AIR RETURN
- 4 COOL AIR OUTLET



MOUNTING PLAN

P/N (GA00434AA)

DIMENSIONS DESIGNATED IN INCHES		DIMENSIONS DESIGNATED IN MILLIMETERS	
INCHES	MILLIMETERS	INCHES	MILLIMETERS
1/16	1.588	1/32	1.588
1/8	3.175	1/16	1.588
3/16	4.763	3/32	2.381
1/4	6.350	1/8	3.175
5/16	7.938	3/16	4.763
3/8	9.525	1/4	6.350
7/16	11.113	5/16	7.938
1/2	12.700	3/8	9.525
9/16	14.288	1/2	12.700
5/8	15.875	5/8	15.875
3/4	19.050	3/4	19.050
7/8	22.225	7/8	22.225
1	25.400	1	25.400
1 1/8	31.750	1 1/8	31.750
1 1/4	38.100	1 1/4	38.100
1 3/8	44.450	1 3/8	44.450
1 1/2	50.800	1 1/2	50.800
1 5/8	57.150	1 5/8	57.150
1 3/4	63.500	1 3/4	63.500
1 7/8	69.850	1 7/8	69.850
2	76.200	2	76.200
2 1/8	82.550	2 1/8	82.550
2 1/4	88.900	2 1/4	88.900
2 3/8	95.250	2 3/8	95.250
2 1/2	101.600	2 1/2	101.600
2 5/8	107.950	2 5/8	107.950
2 3/4	114.300	2 3/4	114.300
2 7/8	120.650	2 7/8	120.650
3	127.000	3	127.000



KOOLTRONIC	
GENERAL ARRANGEMENT	
K3NA4C5DP38L with DIXELL	
DATE	12/21/15
DESIGNED BY	John Miko
CHECKED BY	Steve Schmitter
APPROVED BY	Ben Kaufman
SCALE	1/8" = 1'-0"
DWG. NO.	GA00434AA
REV.	1 OF 1