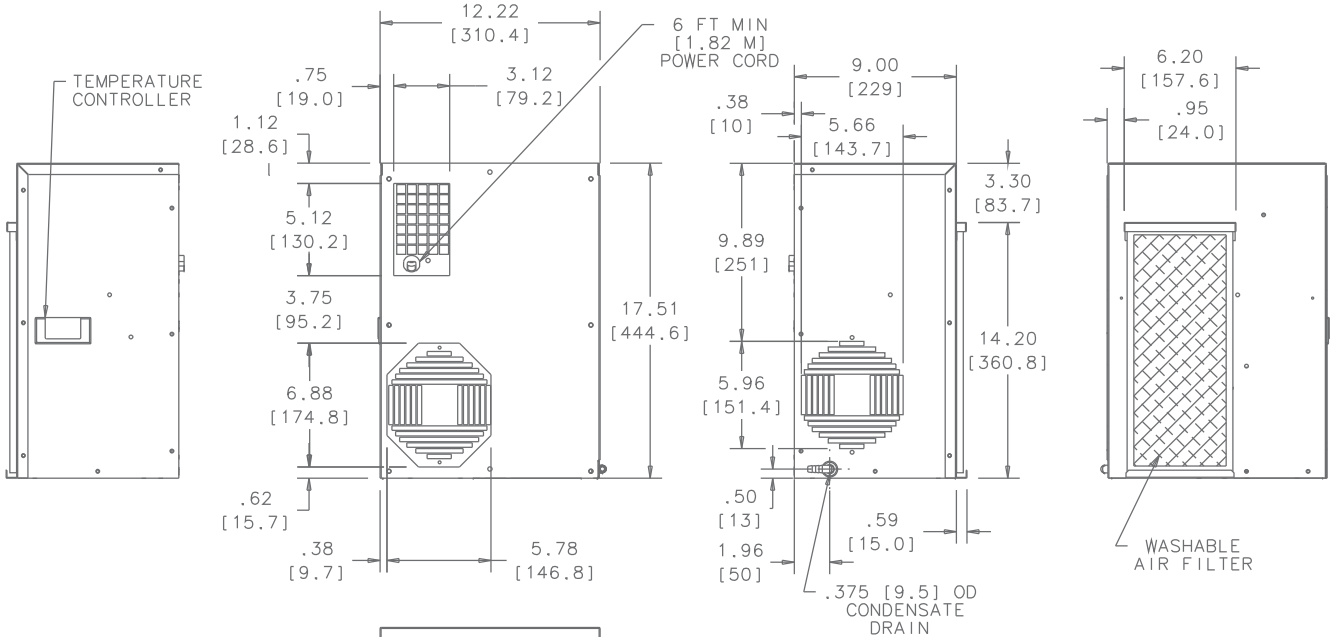
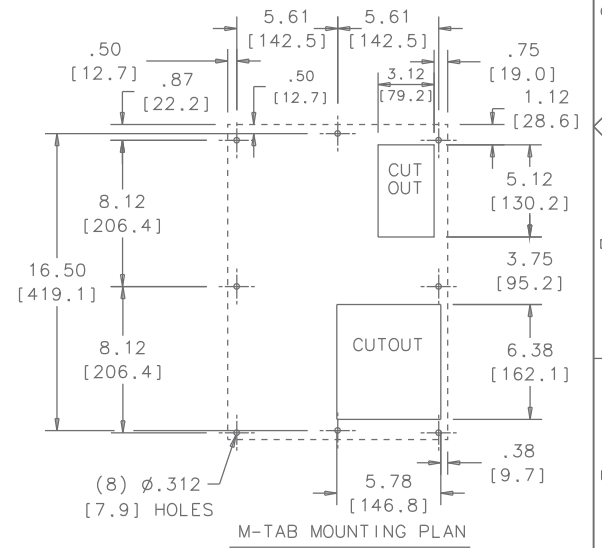
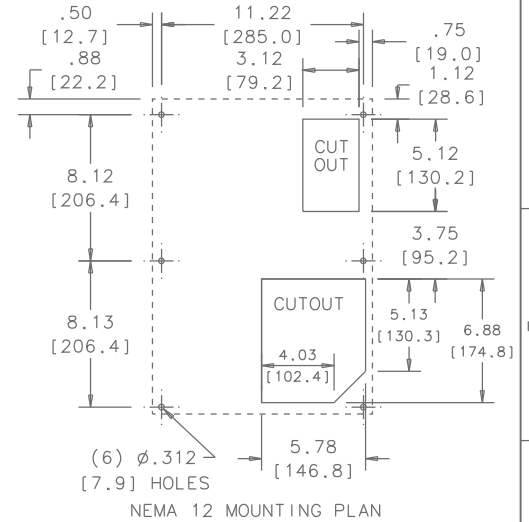
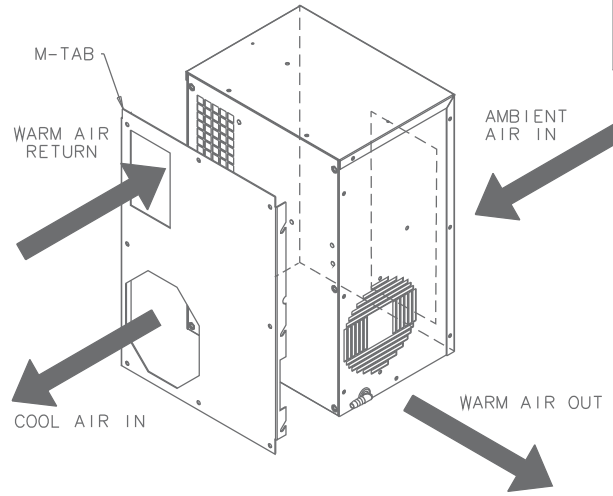


THIS DOCUMENT IS THE PROPERTY OF KOOLTRONIC, INC. AND CONTAINS PROPRIETARY AND CONFIDENTIAL INFORMATION WHICH MUST NOT BE DUPLICATED, USED OR DISCLOSED TO OTHERS, EXCEPT AS EXPRESSLY AUTHORIZED IN WRITING BY KOOLTRONIC, INC.

REVISIONS				
SYM	NOTICE	DESCRIPTION	DATE	APPROVED
-	EC 17/009	NEW DRAWING RELEASE.	1/10/17	DW-
A	EC 18/049	UPDATED DRAWING TO SHOW M-TAB IN ISO VIEW	1/24/18	SDS/MEM



ALL DIMENSIONS ARE IN INCHES. DIMENSIONS DESIGNATED MM ARE IN MILLIMETERS.					
UNLESS OTHERWISE SPECIFIED TOLERANCES NON-ACCUMULATIVE					
TOL. ON	INCHES	MM	CHECKED	DATE	GENERAL ARRANGEMENT NP17L-D1X
.XX	± .02	±	Steve Schmierer	1/13/17	
.XXX	± .010	±	Sepehr S	1/13/17	
ANGULAR	± 1/2°		MFG. ENG.		
MATERIAL SEE BOM			APPROVED	DATE	CODE IDENT. NO. 06223 SIZE C Dwg. NO. GA18001A REV A
UNIT KA4C2.0NP17L	APPROVED Joe Milko		1/16/17	SCALE .1875"=1"	SHEET 1 OF 1 CAD. REF.