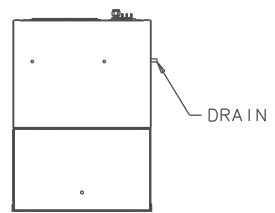
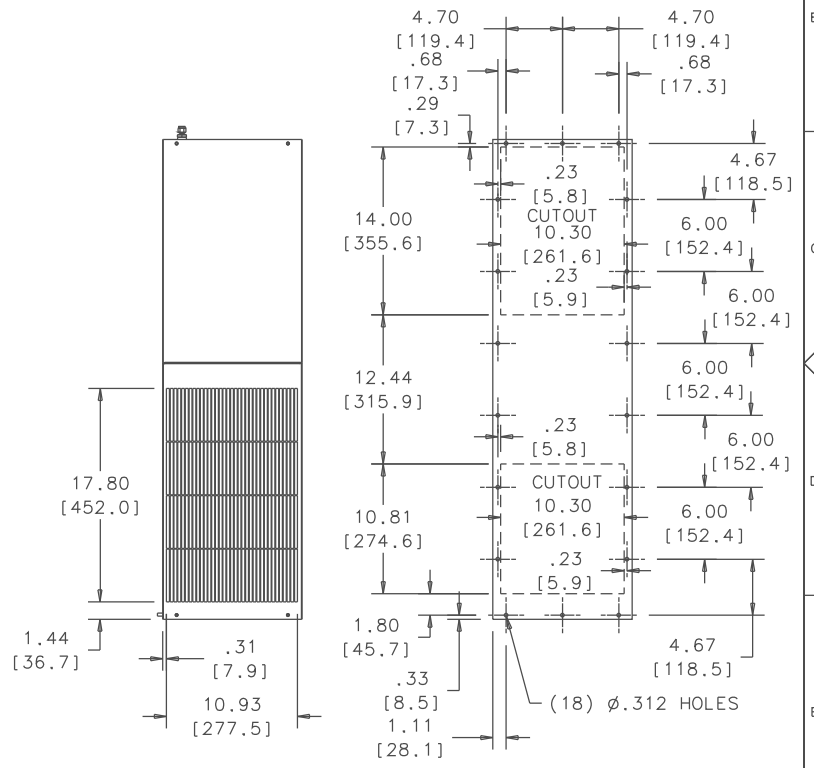
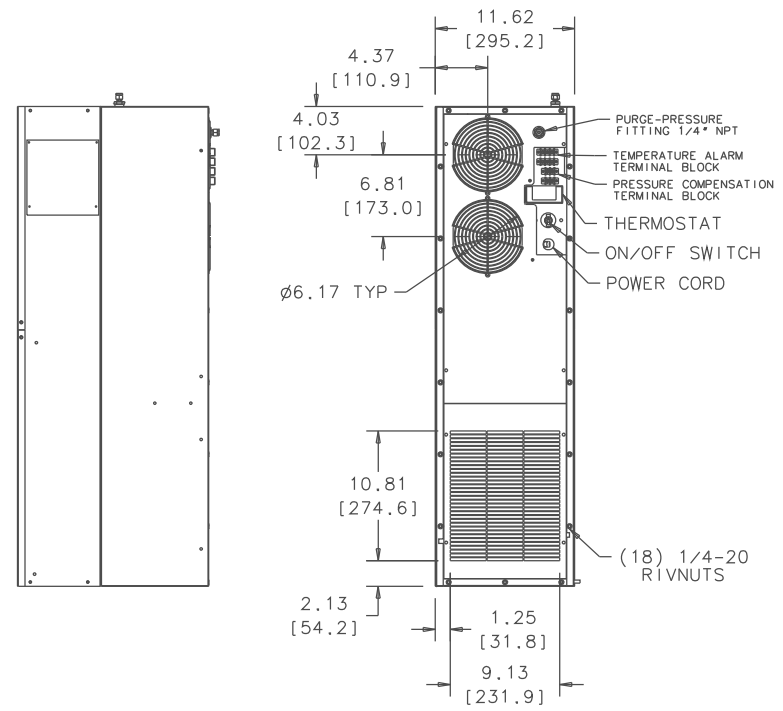
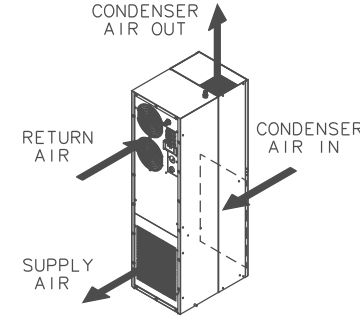
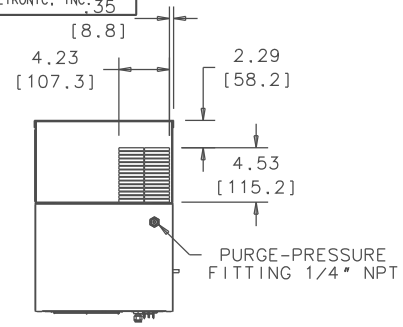


THIS DOCUMENT IS THE PROPERTY OF KOOLTRONIC, INC. AND CONTAINS PROPRIETARY AND CONFIDENTIAL INFORMATION WHICH MUST NOT BE DUPLICATED, USED OR DISCLOSED TO OTHERS, EXCEPT AS EXPRESSLY AUTHORIZED IN WRITING BY KOOLTRONIC, INC. 35

REVISIONS				
SYM	NOTICE	DESCRIPTION	DATE	APPROVED
-	ER 12/067	NEW DRAWING RELEASE.	7/23/13	DW-
A	NONE	ADDED 1/4" NPT TO NOTE.	12/16/13	DW-
B	EC 15/021	ADDED PRESSURE COMPENSATION ON TERMINAL BLOCK AND UPDATED DRAWING WITH RIVNUTS	3/24/15	JS
C	EC 16/242	PICTORIAL UPDATE, REDRAWN 2nd PURGE.	5/3/16	DW-



ALL DIMENSIONS ARE IN INCHES. DIMENSIONS DESIGNATED MM ARE IN MILLIMETERS.				DRAWN		DATE	
UNLESS OTHERWISE SPECIFIED TOLERANCES NON-ACCUMULATIVE				D. WALDRON		7/23/13	
TOL. ON	INCHES	MM	CHECKED				
.XX	± .02	±	Mike M	9/25/13			
.XXX	± .010	±	B. MUZIKANT	11/13/13			
ANGULAR	± 1/2°		MFG. ENG.				
MATERIAL				APPROVED		CODE IDENT. NO.	
				Joe M/Bruce K		06223	
UNIT KA6C6HL40LV				SCALE .125"=1"		SIZE C	



TITLE			
GENERAL ARRANGEMENT			
REV	DIRG. NO.	SIZE	CODE IDENT. NO.
C	GA202040A	C	06223
SHEET	CAD. REF.	SHEET 1 OF 1	