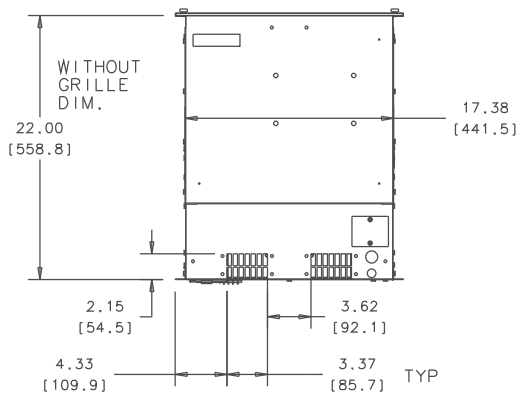
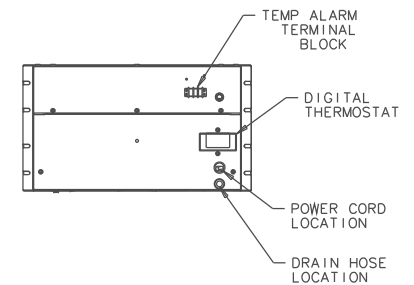
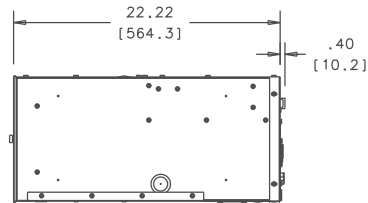
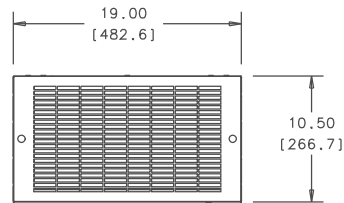
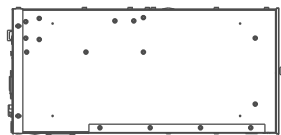
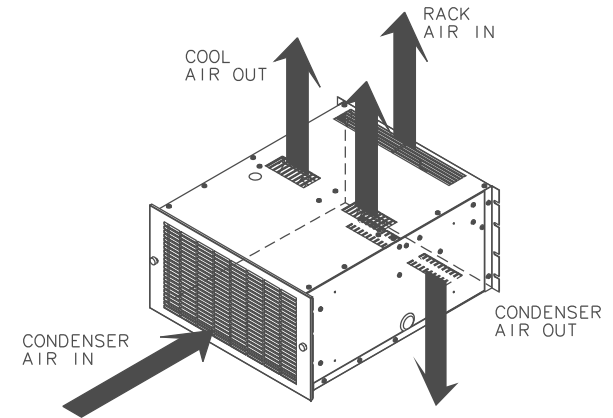
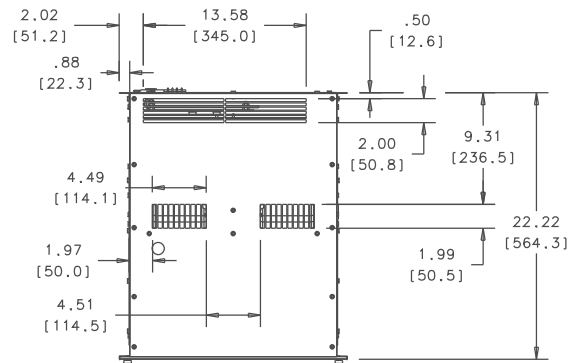
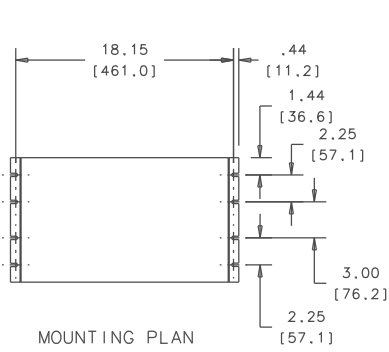



THIS DOCUMENT IS THE PROPERTY OF KOOLTRONIC, INC. AND CONTAINS PROPRIETARY AND CONFIDENTIAL INFORMATION WHICH MUST NOT BE DUPLICATED, USED OR DISCLOSED TO OTHERS, EXCEPT AS EXPRESSLY AUTHORIZED IN WRITING BY KOOLTRONIC, INC.

REVISIONS				
SYM	NOTICE	DESCRIPTION	DATE	APPROVED
-	EC 17/370	NEW DRAWING RELEASE	9/6/17	JS/SDS



ALL DIMENSIONS ARE IN INCHES. DIMENSIONS DESIGNATED MM ARE IN MILLIMETERS.				DRAWN		DATE	
UNLESS OTHERWISE SPECIFIED TOLERANCES NON-ACCUMULATIVE				JERRY STEDNICK		9/11/17	
TOL. ON	INCHES	MM	CHECKED	Steve Schmierer			
.XX	± .02	±	ENG.	9/7/17			
.XXX	± .010	±	MFG. ENG.	Sepehr Sabeti			
ANGULAR	± 1/2 °			9/13/17			
MATERIAL				CODE IDENT. NO.		SIZE	
UNIT K_A4C3.5H10R				APPROVED Joe Milko		9/20/17	
SCALE .125=1				CAD. REF.		SHEET 1 OF 1	



PENNINGTON, NJ USA

TITLE: GENERAL ARRANGEMENT H10 WITH DIXELL

REV: -

DWG. NO.: GA5417H10A