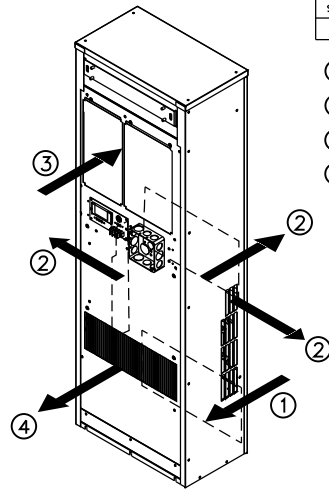
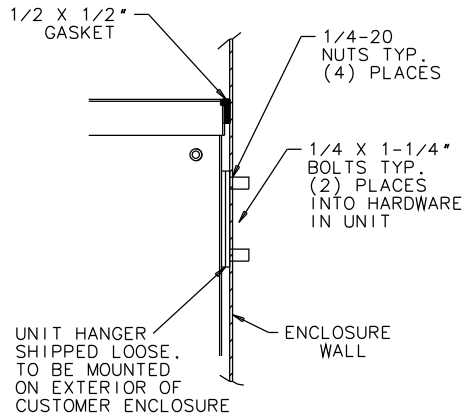


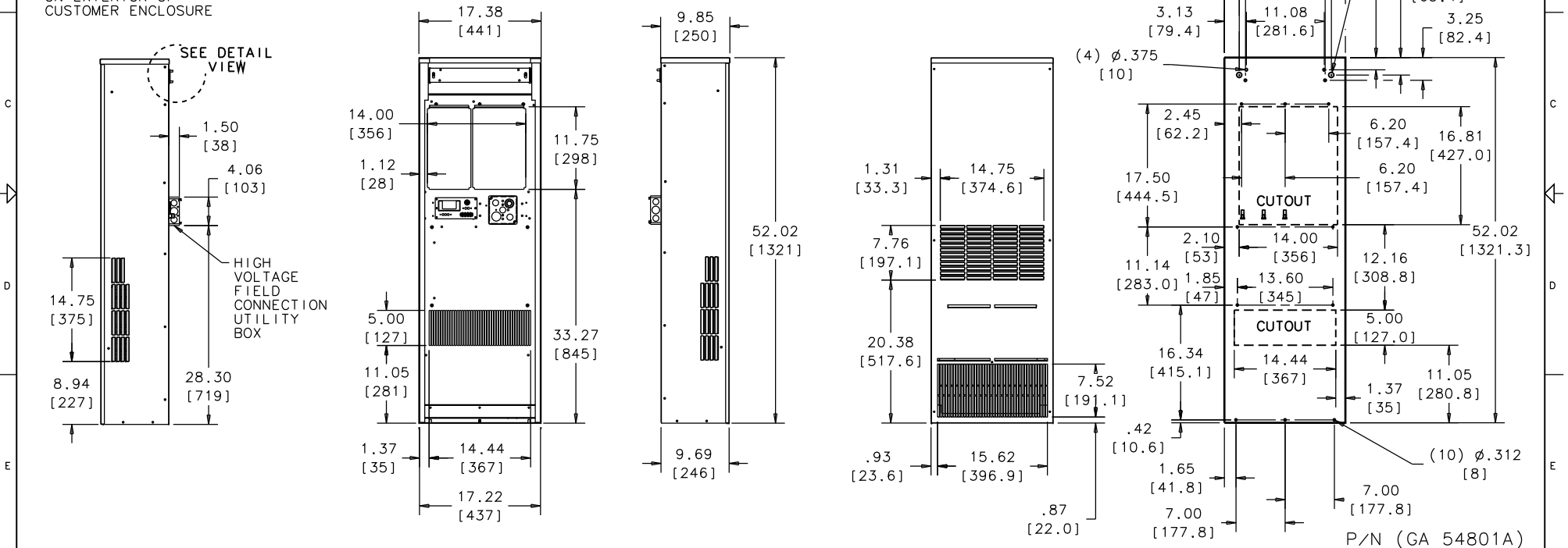
THIS DOCUMENT IS THE PROPERTY OF KOOLTRONIC, INC. AND CONTAINS PROPRIETARY AND CONFIDENTIAL INFORMATION WHICH MUST NOT BE DUPLICATED, USED OR DISCLOSED TO OTHERS, EXCEPT AS EXPRESSLY AUTHORIZED IN WRITING BY KOOLTRONIC, INC.

REVISIONS				
SYM	NOTICE	DESCRIPTION	DATE	APPROVED
-	EC 15/018	NEW DRAWING RELEASE	2/29/16	MEM/

**DETAIL VIEW**



- ① CONDENSER AIR IN
- ② CONDENSER AIR OUT
- ③ WARM AIR RETURN
- ④ COOL AIR OUT



P/N (GA 54801A)

ALL DIMENSIONS ARE IN INCHES. DIMENSIONS DESIGNATED MM ARE IN MILLIMETERS.		<b>KOOLTRONIC, INC.</b> PENNINGTON, NJ USA	
UNLESS OTHERWISE SPECIFIED TOLERANCES NON-ACCUMULATIVE		DRAWN Mike Mc Crohan 2/29/16	DATE 2/29/16
TOL. ON	INCHES	MM	
.XX	± .02	±	CHECKED Steve Schmierer 6/22/16
.XXX	± .010	±	ENG. Ron Kaufman 6/24/16
ANGULAR	± 1/2 °		
MATERIAL	---		
UNIT	K3NA4C7 & 9DP52L		APPROVED Joe Milko 7/7/16
CODE IDENT. NO. 06223		SIZE C	DWG. NO. GA54801A
SCALE .09375:1		CAD. REF.	TITLE GENERAL ARRANGEMENT AIR CONDITION with CONTROLLER
		SHEET	REV
		1 OF 1	-