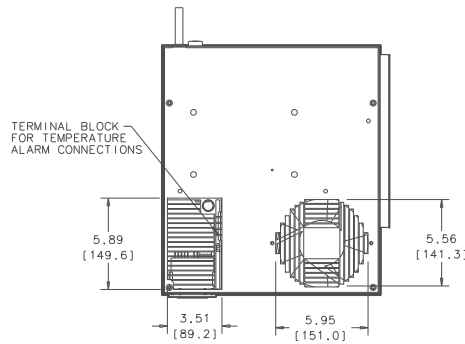
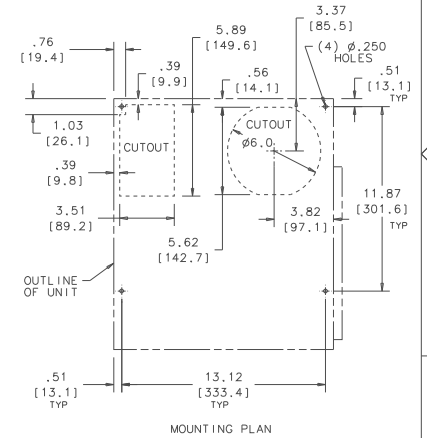
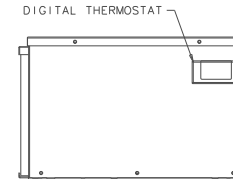
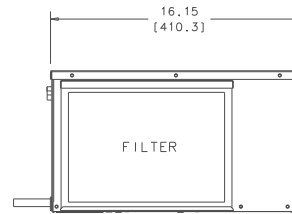
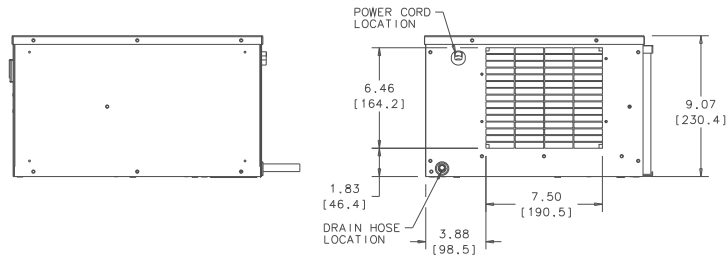
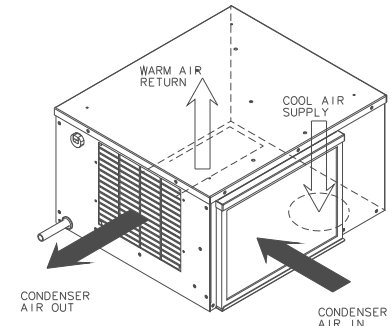
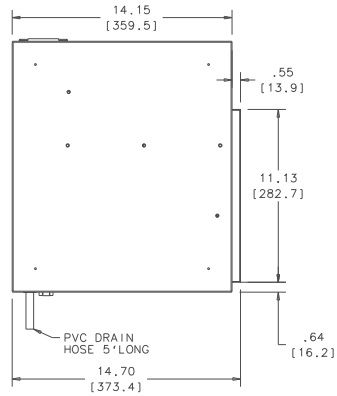


THIS DOCUMENT IS THE PROPERTY OF KOOLTRONIC, INC. AND CONTAINS PROPRIETARY AND CONFIDENTIAL INFORMATION WHICH MUST NOT BE DUPLICATED, USED OR DISCLOSED TO OTHERS, EXCEPT AS EXPRESSLY AUTHORIZED IN WRITING BY KOOLTRONIC, INC.

REVISIONS		DATE	APPROVED
SYM	NOTICE	DESCRIPTION	
-	EC 16/751	NEW DRAWING RELEASE	1/24/17 JS/SDS



ALL DIMENSIONS ARE IN INCHES, DIMENSIONS DESIGNATED M ARE IN MILLIMETERS.				UNLESS OTHERWISE SPECIFIED TOLERANCES NON-DECIMALATIVE.		DATE	APPROVED
TOL. ON	INCHES	M	CHECKED	DATE	BY		
.xx	: .02	:	Steve Schmierer	1/25/17	JERRY STEDNICK	1/24/17	
.xxx	: .010	:	Sepehr Sobati	7/21/17			
ANGULAR			MFG. ENG.				
MATERIAL							
UNIT	K_A4C2.5HSR		APPROVED	DATE	BY		
			Joe M/Bruce K	9/20/17			
CODE IDENT. NO.	SIZE	DWG. NO.	REV				
06223	D	GA5927A	-				
SCALE: 25=1	CAD. REF.		SHEET 1 OF 1				



GENERAL ARRANGEMENT