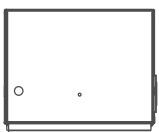
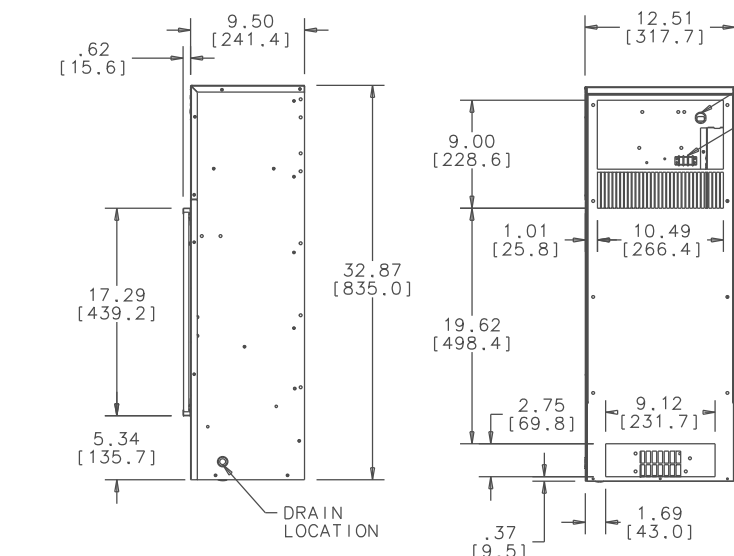
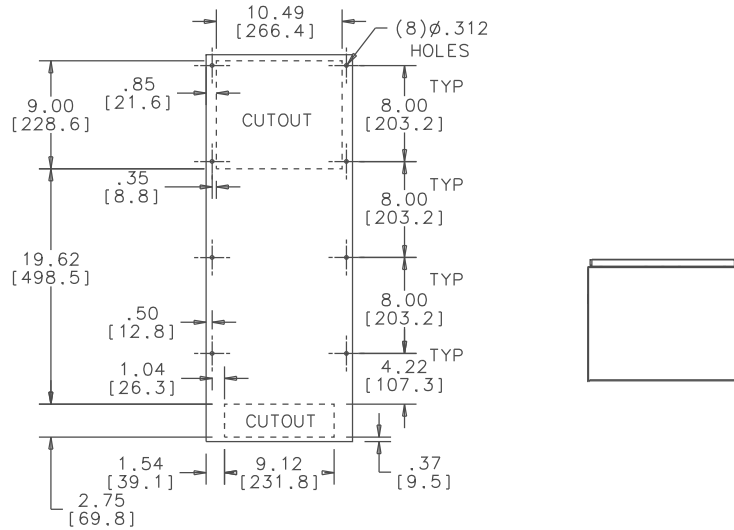


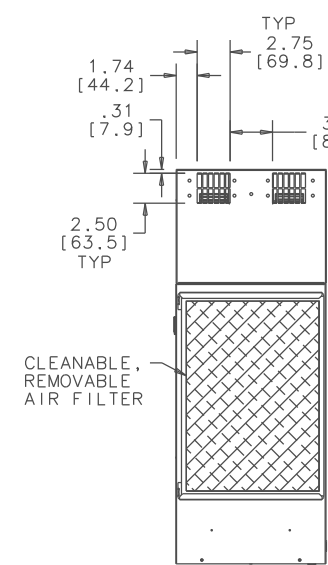
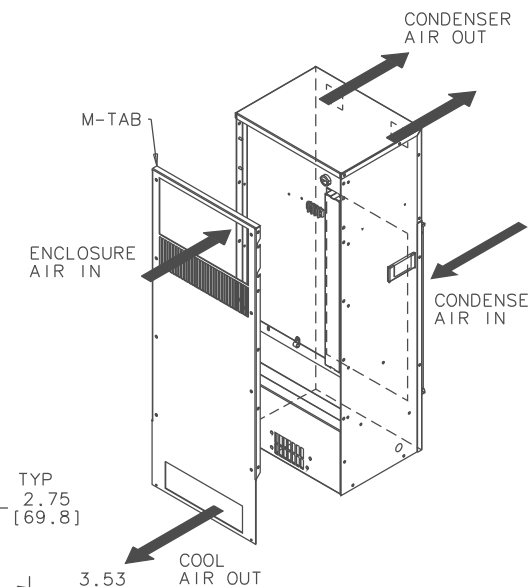
THIS DOCUMENT IS THE PROPERTY OF KOOLTRONIC, INC. AND CONTAINS PROPRIETARY AND CONFIDENTIAL INFORMATION WHICH MUST NOT BE DUPLICATED, USED OR DISCLOSED TO OTHERS, EXCEPT AS EXPRESSLY AUTHORIZED IN WRITING BY KOOLTRONIC, INC.

REVISIONS				
SYM	NOTICE	DESCRIPTION	DATE	APPROVED
-	EC 17/451	NEW DRAWING RELEASE	10/2/17	JS/SDS
A	EC 18/049	UPDATED DRAWING TO SHOW M-TAB IN ISO VIEW	1/25/18	SDS/MEM

MOUNTING PLAN  
"M" TAB OUTLINE



OPTIONAL DRAIN LOCATIONS



UNLESS OTHERWISE SPECIFIED TOLERANCES NON-ACCUMULATIVE				DRWEN		DATE		KOOLOTRONIC, INC.		
TOL. ON	INCHES	MM		JERRY STEDNICK	10/2/17	PENNINGTON, NJ USA		<b>GENERAL ARRANGEMENT NP33 WITH DIXELL</b>		
.XX	± .02	±		Steve Schmierer	10/3/17	TITLE				
.XXX	± .010	±		Sepehr Sabeti	10/3/17					
ANGULAR		± 1/2 °		MFG. ENG.						
MATERIAL				APPROVED		CODE IDENT. NO.		SIZE	DWG. NO.	REV
UNIT				Joe Milko		06223		C	GA609033A	A
				10/5/17		SCALE 1:25=1		CAD. REF.		SHEET 1 of 1