

# HAZARDOUS LOCATION SERIES HL40LV NEMA 4/4X AIR CONDITIONERS



Model	NEMA Rating	BTU/H Capacity	95/95 Rating BTU/H	Ambient Temp.				Volts	Hz	* Running Amps 125°F/125°F	Pressurized Compartment Volume cu. ft.	Air Leakage @ 0.25 i.w.g. Pressure CFM	Approx. Weight Lbs. Kg.
				°F		°C							
				Max.	Min.	Max.	Min.						
KA6C6HL40LV	4/4X	6000	5770	125	-20	52	-29	115	60	12.2	2.4	0.1	112 51
K2A6C6HL40LV	4/4X	6000	5770	125	-20	52	-29	208/230 230	60 50	7.5/6.5 6.5	2.4	0.1	112 51

\* Rating is shown for operation at maximum ambient temperature.

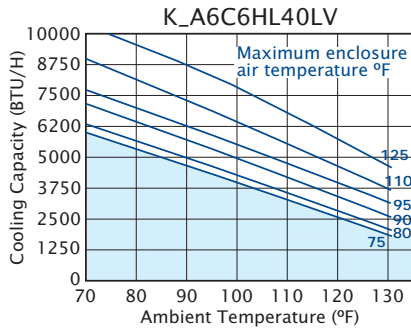


**NEMA**  
TYPE 12, 3R AND  
4/4X  
MAINTAINED

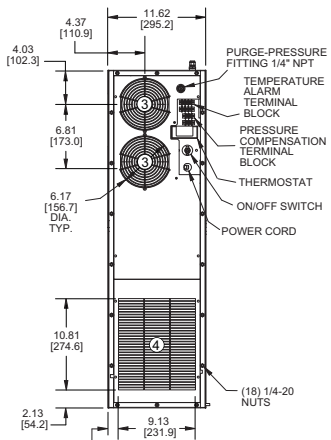
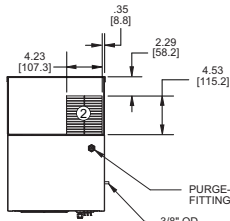


U.S. Patent No. 9,157,670 B2

## PERFORMANCE



Operation within shaded area not recommended.



Many popular units are available as 3D solid models for customer system integration. Please contact Kooltronic for details.

Dimensions, inches [mm], are for reference only and are subject to change.

## STANDARD FEATURES

All models UL Listed per UL 484, Special Purpose Air Conditioners

All models UL Recognized per NFPA 496: 2013, Purged and Pressurized Enclosures for Electrical Equipment

Meets NEC Class I Division 1, Groups A, B, C & D and Class I, Zone 1, Groups IIA, IIB plus hydrogen and IIC Hazardous Locations when used with an approved Type X Purge System on the electrical enclosure

Meets NEC Class I Division 2, Groups A, B, C & D and Class I, Zone 2, Groups IIA, IIB plus hydrogen and IIC Hazardous Locations when used with an approved Type Z Purge System on the electrical enclosure

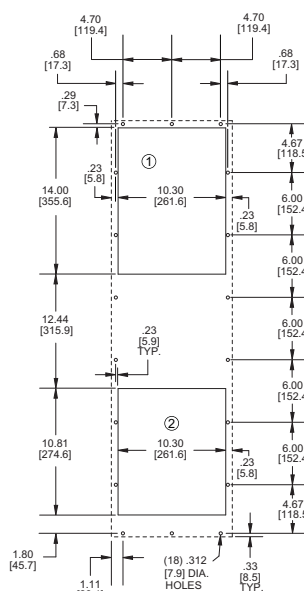
Temperature Classification is T-4, 275°F/135°C  
Maintains NEMA Type 12, 3R & 4/4X Ratings per UL 50, Cabinets and Boxes

Closed-Loop Cooling  
Compressor Short Cycle Protector  
Filter

Interior and Exterior Purge Connections  
Internal Corrosion Protection

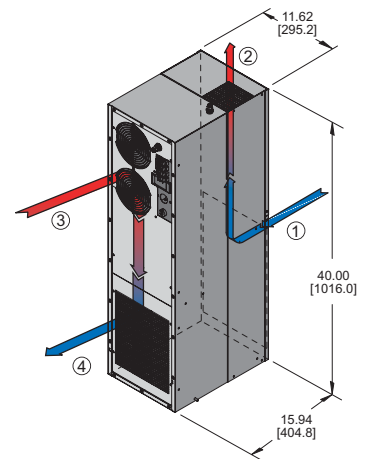
Painted Condenser and Evaporator Coils  
Pressure Compensation Terminal Block  
Programmable Temperature Alarm  
Programmable Thermostat  
Shock and Vibration Resistance  
Stainless Steel Shell  
Zero ODP Refrigerant

## MOUNTING PLAN



## ACCESSORIES AND OPTIONS

Enclosure Heater  
Filter Recoating Adhesive  
Lead-Lag Controller  
Remote Monitoring  
Remote Thermostat Relay  
Replacement Filters



- ① CONDENSER AIR INLET (Ambient Air In)
- ② CONDENSER OUTLET (Warm Ambient Air Out)
- ③ WARM AIR RETURN FROM ENCLOSURE
- ④ COOL AIR OUTLET TO ENCLOSURE

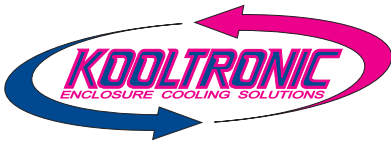


Find additional information on this model at [kooltronic.com](http://kooltronic.com), or use the Technical Documents QR code below.

Technical Documents



hl40l.qxd 8/30/17



# HAZARDOUS LOCATION SERIES

## HL40LV NEMA 4/4X AIR CONDITIONERS

### DESCRIPTION

---

Robust engineering, industrial-grade construction and UL Listing are the reasons that the Kooltronic **Hazardous Location Series** Air Conditioners provide the durability and safety required by hazardous location applications.

Kooltronic **Hazardous Location Series** Air Conditioners are ideal for:

- Offshore oil rigs, onshore oil company offices and refineries
- Petrochemical sites and propane fill-up stations
- Paint and varnish storage or processing plants
- Grain alcohol processors or storage sites
- Munitions plants or armories
- PVC or plastics plants and processing plants
- Recycling plants
- Furniture refinishing/stripping workshops
- Fertilizer plants
- Hazardous materials storage



### FEATURES AND BENEFITS (STANDARD)

---

All models UL/CUL Listed and Recognized, a standard of safety.  
CFC-free refrigerant provides a zero ozone depletion potential.  
Closed-loop cooling provides stable temperature control while excluding dust and humidity from the electrical enclosure.  
Compressor short cycle protector extends compressor life.  
Condenser filtration to maintain peak thermal performance extends compressor life.  
Pressure compensation terminal block allows user to attach auxiliary pressure supply.  
Programmable temperature alarm to alert if early action required.  
Programmable thermostat capable of remote monitoring and control.  
Internal corrosion protection to increase reliability in hostile environments.  
NEMA 12, 3R & 4/4X ratings for compatibility with electrical enclosure ratings.  
Stainless steel shell for NEMA 4X corrosive environments.  
All models are designed to withstand shock and vibration in two different planes for a minimum of 4 hours per plane at 1G acceleration.  
Both evaporator and condenser coils are epoxy coated, prolonging unit life.  
Type X and Z purge fittings for simple connection to enclosure purge system.

### FEATURES AND BENEFITS (OPTIONAL)\*

---

Enclosure heater eliminates damaging condensation, increasing reliability of electrical enclosure components.  
Lead-lag control for two air conditioners provides for capacity control, and alternates usage, increasing reliability.  
Remote monitoring provides temperature data for warning of early action required.  
Remote thermostat relay for control by a user-supplied control system.

#### Special paint finishes\*

\*Contact KOOLTRONIC for more information.

### REPLACEMENT FILTERS

---

The HL40L Filter Part No. is 19501F (11.25" x 19.50" x 0.38" [285.7mm x 495.3mm x 9.7mm])