

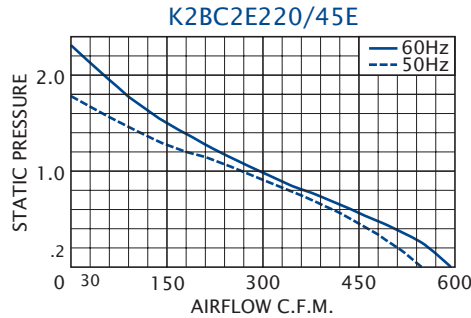
TECHNICAL DATA

Model	CFM@ Cutoff		Volts	Hz	Amps	Watts	Capacitor			Min. Temp.	Max. Temp.
	0" S.P.	S.P.					μ F	RPM	dBA		
K2BC2E220/45E	594	2.3	230	60	0.55	125	3.0	2750	65	-4°F/-20°C	158°F/70°C
K2BC2E220/45E	550	1.8	230	50	0.39	89	3.0	2525	63	-4°F/-20°C	158°F/70°C

STANDARD FEATURES

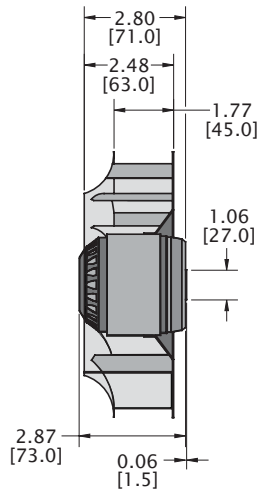
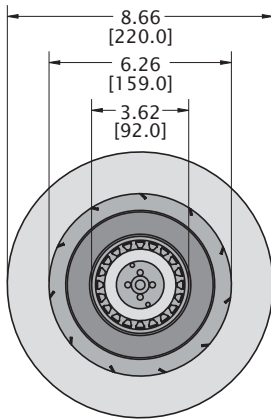
- Low noise level
- 594 CFM capacity
- Available in 230 VAC, 50/60Hz
- Compact size
- Precision balanced
- External rotor design
- Precision ball-bearing motors
- Class F, thermally protected
- UL 94 V-0 plastic impeller
- UL Recognized

PERFORMANCE

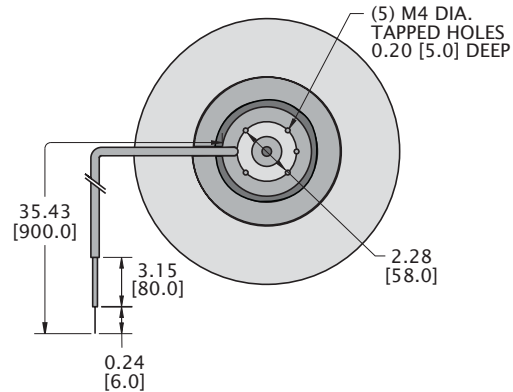


DRAWINGS

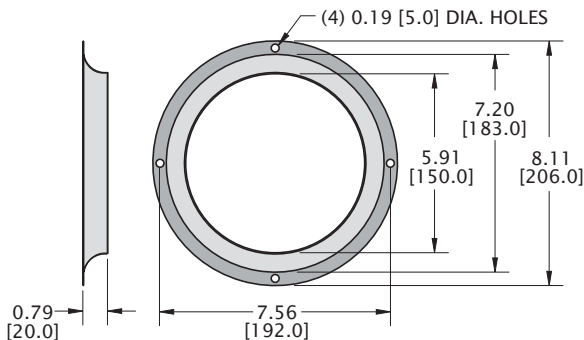
Dimensions, inches [mm], are for reference only and are subject to change.



An inlet ring, which must be installed by the customer, is recommended for optimum performance. This unit requires a capacitor which must be mounted and connected by the customer.



OPTIONAL INLET RING P/N: 1114-07



TYPICAL INSTALLATION

