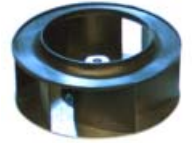




K2BC4E315/101A MOTORIZED IMPELLER

TECHNICAL DATA

Model	CFM@		Cutoff S.P.	Volts	Hz	Amps	Watts	Capacitor		RPM	dBA	Min. Temp.	Max. Temp.
	0" S.P.	S.P.						μF	RPM				
K2BC4E315/101A	1235	1.43	230	60	0.71	161	4.0	1565	65	-40°F/-40°C	158°F/70°C		
K2BC4E315/101A	1085	1.02	230	50	0.58	119	4.0	1375	62	-40°F/-40°C	158°F/70°C		



STANDARD FEATURES

- Low noise level
- 1235 CFM capacity
- Available in 230 VAC, 50/60Hz
- Compact size
- Precision balanced
- External rotor design
- Precision ball-bearing motors
- Class F, thermally protected
- UL 94 V-0 plastic impeller
- UL Recognized
- Normally In-Stock

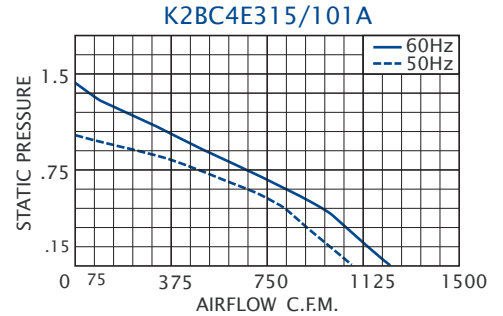
ACCESSORIES*

- Capacitor - P/N: 0452-35
- Inlet Ring - P/N: 971-395-01AL
- Automatic Speed Control



***Note:** This unit requires a capacitor for operation. Capacitors are sold separately and shipped loose for field installation by customer. An Inlet Ring is recommended for optimum performance. These are sold separately, to be installed by the customer.

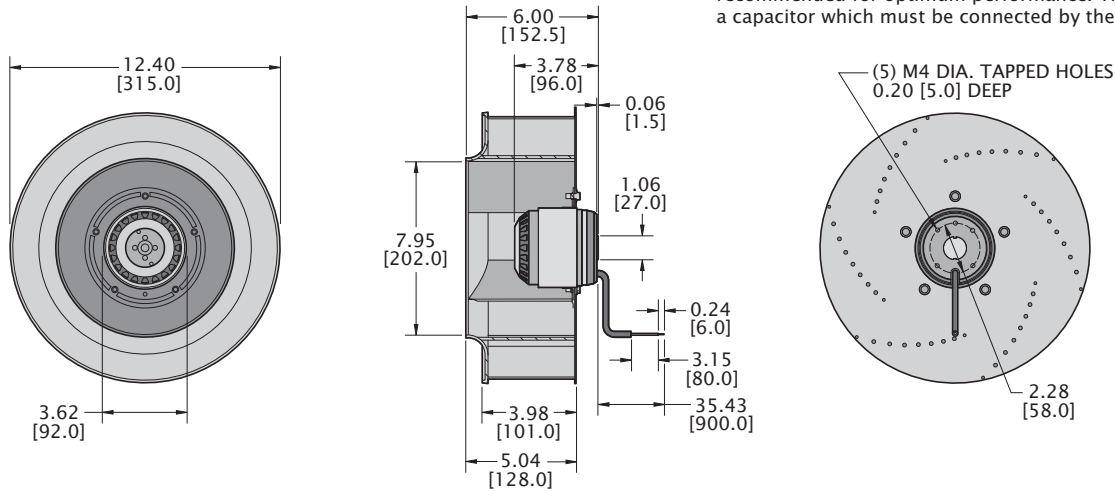
PERFORMANCE



Airflow vs. static pressure curves are shown for 60 Hz and 50 Hz (broken line) inputs. Static pressure is in inches of water.

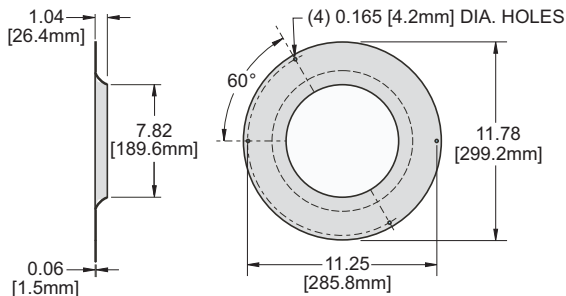
DRAWINGS

Dimensions, inches [mm], are for reference only and are subject to change.



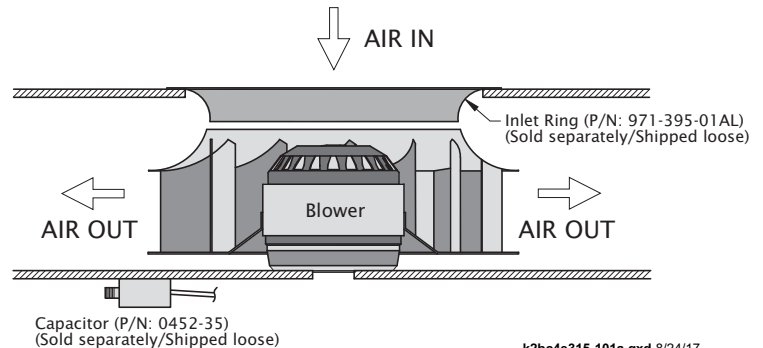
An inlet ring, which must be installed by the customer, is recommended for optimum performance. This unit requires a capacitor which must be connected by the customer.

INLET RING P/N: 971-395-01AL



Dimension, inches [metric], are for reference only and are subject to change.

TYPICAL INSTALLATION



k2bc4e315-101a.qxd 8/24/17