



K7BCE192/40A MOTORIZED IMPELLER

TECHNICAL DATA

Model	CFM@ 0" S.P.	Cutoff S.P.	DC Volts	Amps	Watts	RPM	dBA	Min. Temp.	Max. Temp.
K7BCE192/40A	312	2.58	24	3.30	79	3075	67	-4°F/-20°C	158°F/70°C



STANDARD FEATURES

- Low noise level
- 312 CFM capacity
- Compact size
- Nominal voltage 24VDC (18-36VDC)
- Precision balanced
- External rotor design
- Precision ball-bearing motors
- Reverse polarity protection
- Soft start
- Locked rotor protection
- Tachometer output (open collector)
- Controlled by 0-10VDC or PWM signal

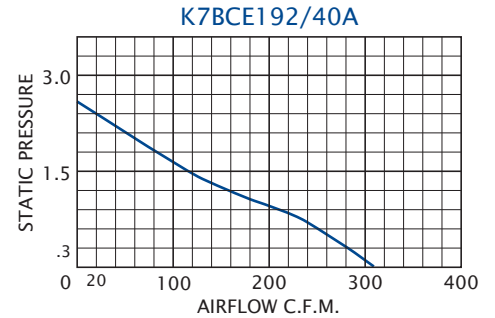
ACCESSORIES*

Inlet Ring - P/N: 1114-08



***Note:** An Inlet Ring is recommended for optimum performance. These are sold separately, to be installed by the customer.

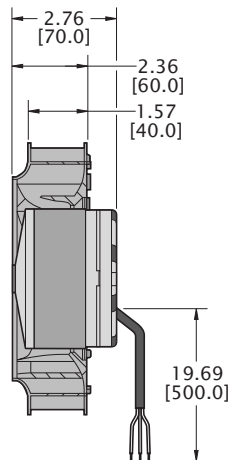
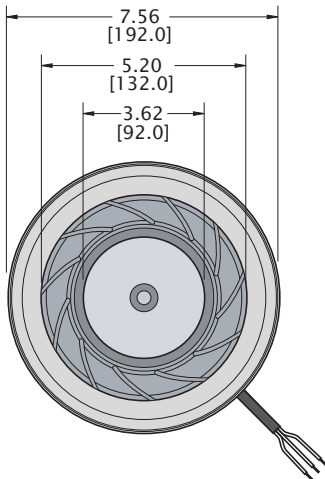
PERFORMANCE



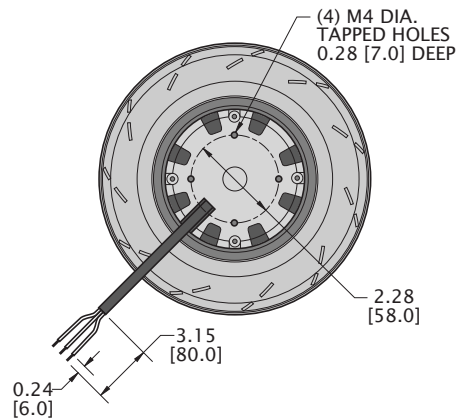
Airflow vs. static pressure curves are shown for 60 Hz input. Static pressure is in inches of water.

DRAWINGS

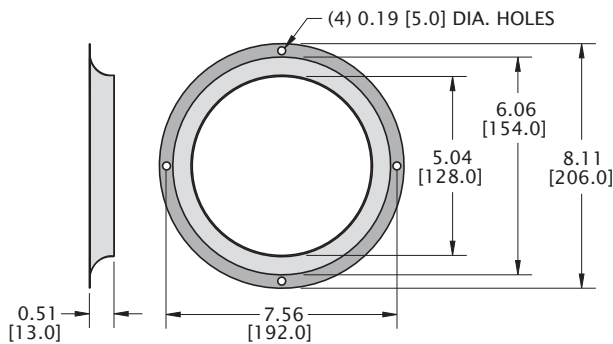
Dimensions, inches [mm], are for reference only and are subject to change.



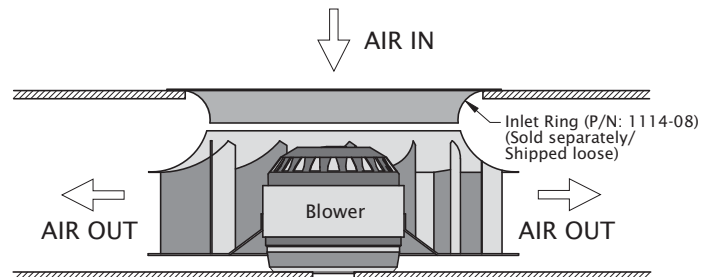
An inlet ring, which must be installed by the customer, is recommended for optimum performance.



INLET RING P/N: 1114-08



TYPICAL INSTALLATION



k7bce192-40a.qxd 8/25/17