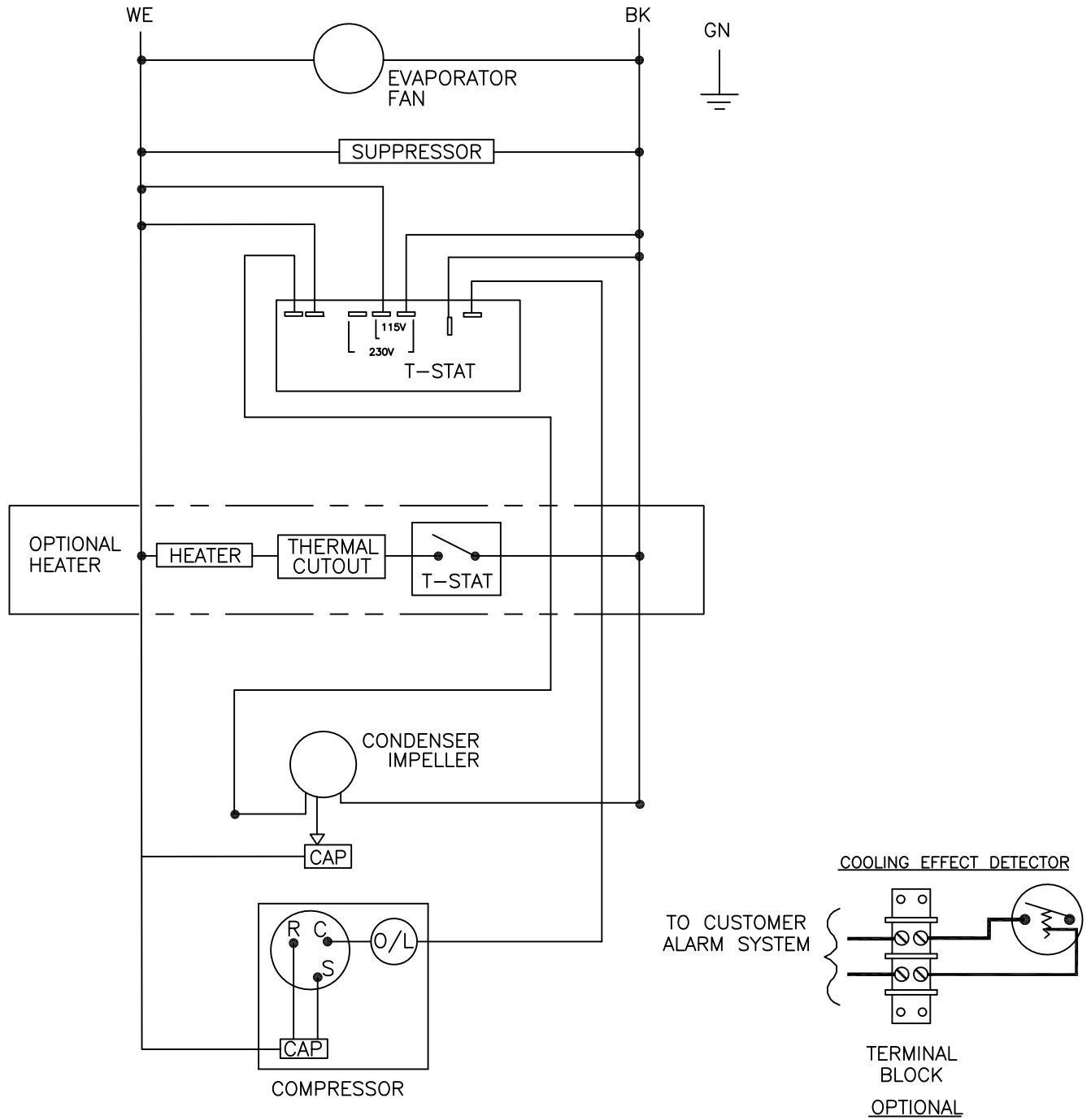


THIS DOCUMENT IS THE PROPERTY OF KOOLTRONIC, INC. AND CONTAINS PROPRIETARY AND CONFIDENTIAL INFORMATION WHICH MUST NOT BE DUPLICATED, USED OR DISCLOSED TO OTHERS, EXCEPT AS EXPRESSLY AUTHORIZED IN WRITING BY KOOLTRONIC, INC.

REVISIONS

SYM	NOTICE	DESCRIPTION	DATE	APPROVED
-	ER 05/168	NEW DRAWING RELEASE	1/13/06	JS



ALL DIMENSIONS ARE IN INCHES,  
DIMENSIONS DESIGNATED MM ARE IN MILLIMETERS.

UNLESS OTHERWISE SPECIFIED  
TOLERANCES NON-ACCUMULATIVE

TOL. ON	INCHES	MM
.XX	± .02	±
.XXX	± .010	±
ANGULAR	± 1/2°	

DRAWN	DATE
JERRY STEDNICK	11/14/05
CHECKED MEM	1/12/06
ENG. BORIS MUZIKANT	11/14/05
MFG. ENG.	



WIRING DIAGRAM

MATERIAL		CODE IDENT. NO.	SIZE	DWG. NO.	REV
UNITS	KA4C3DP21L	06223	A	WD-1126	-
APPROVED	B KREELEY	1/23/06	SCALE	CAD. REF.	SHEET
			N/A	WD-1126	1 OF 1