

THIS DOCUMENT IS THE PROPERTY OF KOOLTRONIC, INC. AND CONTAINS PROPRIETARY AND CONFIDENTIAL INFORMATION WHICH MUST NOT BE DUPLICATED, USED OR DISCLOSED OTHER THAN AS EXPRESSLY AUTHORIZED BY KOOLTRONIC, INC.

D	11/28/1	30" WHT. Header Wire	8/19/11	BD/NEW/
E	EC 13/100	ADDED GREEN GRD. WIRE TO COMPRESSOR	3/28/13	LM/JS
F	EC 14/170	REMOVED SURGE SUPPRESSOR	5/28/14	LV/
G	EC 15/620	CHANGED WIRE TERMINALS ON WIRES #6 & #25. WMS -04	12/10/15	JS

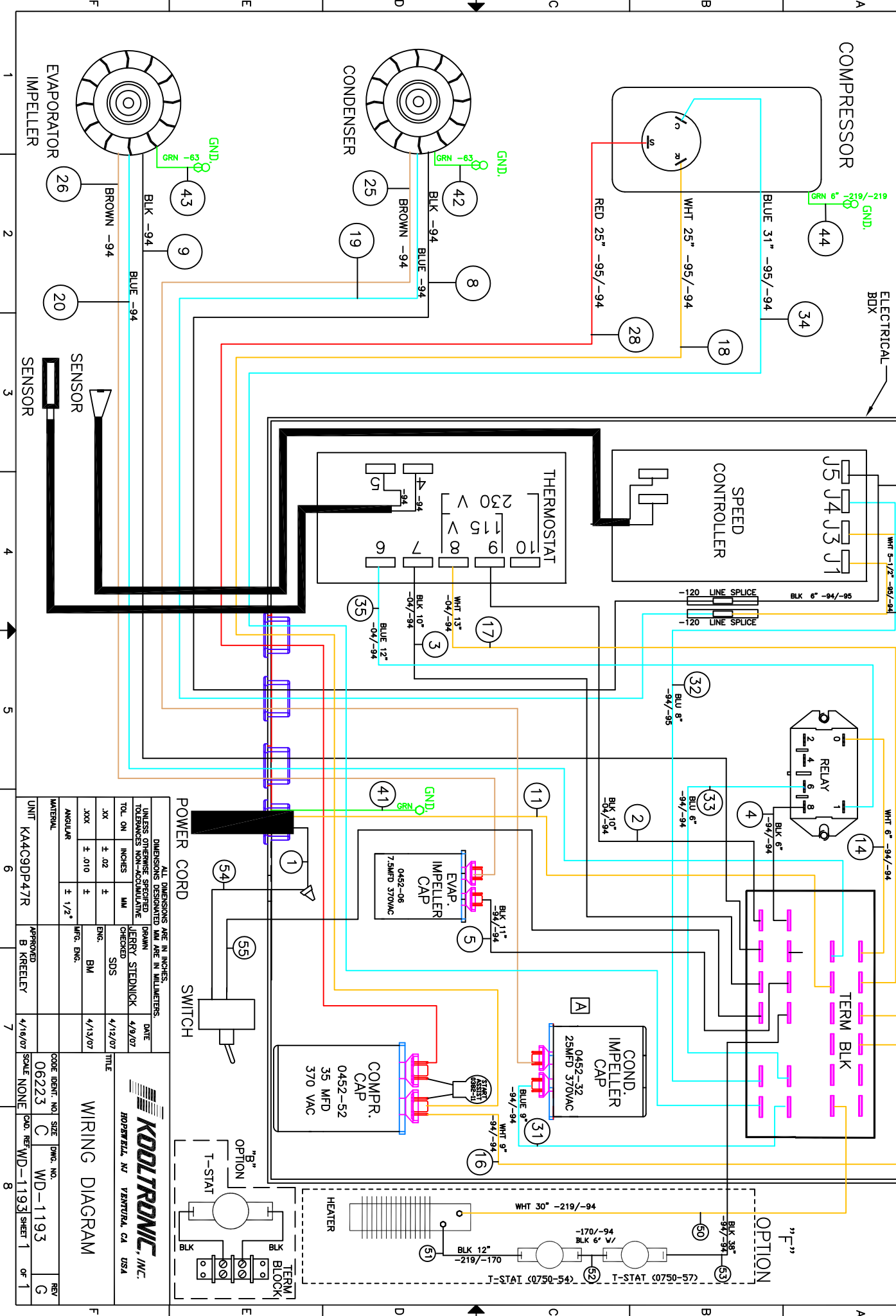
ER 09/05/71

ADDED "B"OPTION COOLING EFFECT

SDS/JS

7/22/09

REV	DATE	APPROVED	DESCRIPTION
-	ER 07/019		NEW DRAWING RELEASE
A	EC 07/832		"A" ADDED CAPACITOR P/N 0452-32 25 MFD
B	ER 09/094		ADDED HEATER "F" OPTION
	4/9/07	JS	
	10/21/07	RON DW-	
	10/2/08	JS DW-	



ALL DIMENSIONS ARE IN INCHES. DIMENSIONS DESIGNATED MM ARE IN MILLIMETERS. UNLESS OTHERWISE SPECIFIED DRAWING TOLERANCES NON-ACQUAINTANCE

XX	± .02	±	DATE	4/12/07
XXX	± .010	±	CHKD BY	JERRY STEDNICK
			DATE	4/9/07
			ENG.	BM
			MFG. ENG.	

UNIT: KA4C9DP47R

APPROVED: B KREILEY

SCALE: NONE

DATE: 4/19/07

SIZE: WD-1193

REV: G

SHEET: 1 OF 1

KOOLTRONIC, INC.
 HOPEWELL, NJ VERMONT, CA USA

WIRING DIAGRAM