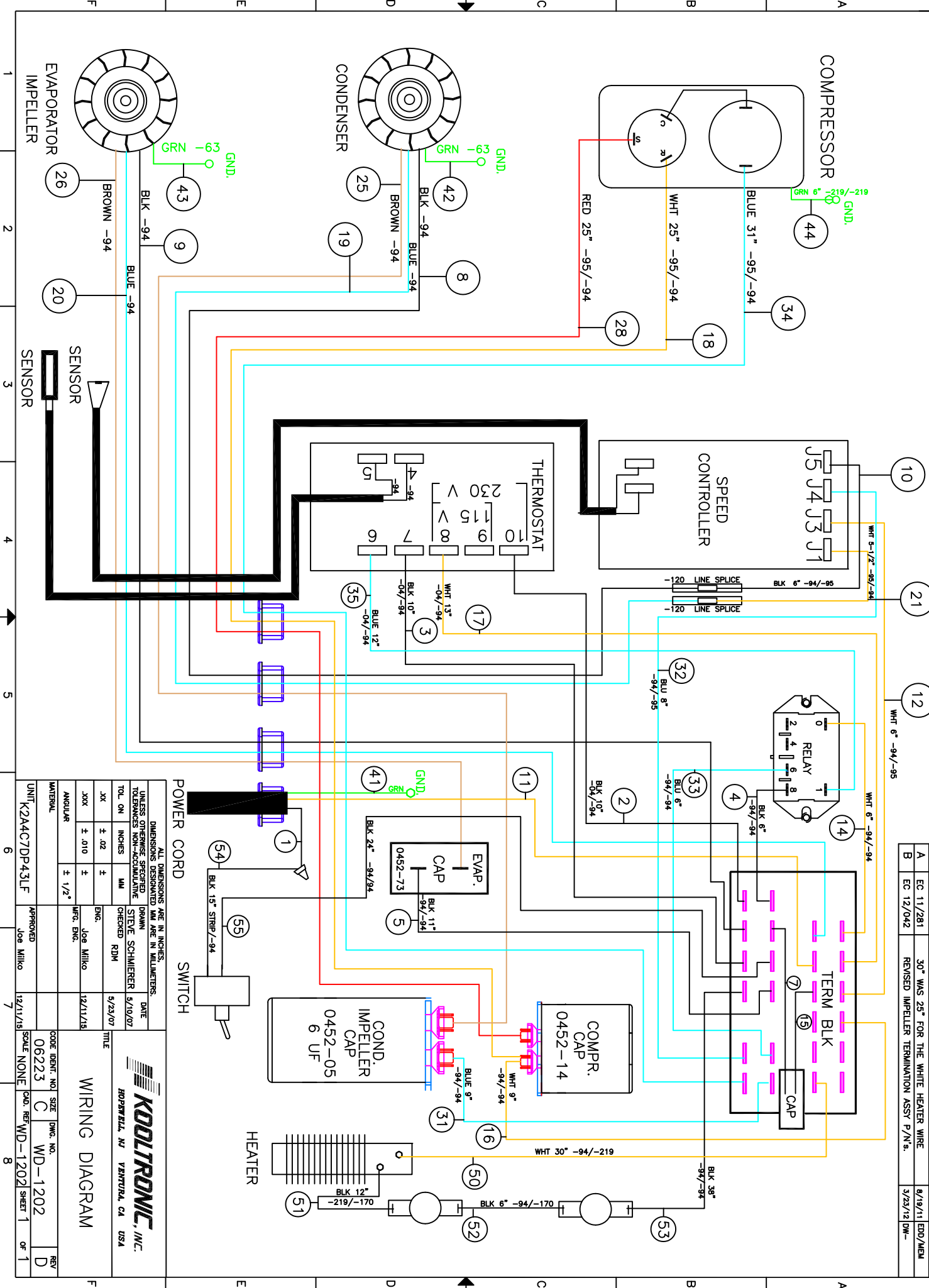


THIS DOCUMENT IS THE PROPERTY OF KOOLTRONIC, INC. AND CONTAINS PROPRIETARY AND CONFIDENTIAL INFORMATION WHICH MUST NOT BE DUPLICATED, USED OR DISCLOSED OTHER THAN AS EXPRESSLY AUTHORIZED BY KOOLTRONIC, INC.

C	EC 13/1001	ADDED GREEN GRD. WIRE TO COMPRESSOR	3/29/13	MEM/JS
D	EC 15/620	CHANGED WIRE TERMINALS ON WIRES #8 & #25. WAS -04	12/10/19	JS

REV	DATE	APPROVED	DESCRIPTION
-	5/10/07	SDS	NEW DRAWING RELEASE
A	8/19/11	EDD/MEH	30" WAS 25" FOR THE WHITE HEATER WIRE
B	3/23/12	DW-	REVISED IMPELLER TERMINATION ASSY P/N'S.



UNITS		K2A4CTDP43LF	
APPROVED	Joe Milko	DATE	12/11/19
SCALE	NONE	SHEET	1 OF 1

TITLE		WIRING DIAGRAM	
DATE	5/10/07	DRWING	STEVE SCHMIEBER
CHECKED	RDM	DATE	5/23/07
ENG.	Joe Milko	DATE	12/11/19
MFG. ENG.			
XX	± .02	INCHES	±
XX	± .010	MILLIMETERS	±
DIMENSIONS ARE IN INCHES. DIMENSIONS DESIGNATED MM ARE IN MILLIMETERS. UNLESS OTHERWISE SPECIFIED DRAWING TOLERANCES NON-ACCOMMODATE			

**KOOLTRONIC, INC.**  
 HOPWELL, NJ VENTURA, CA USA