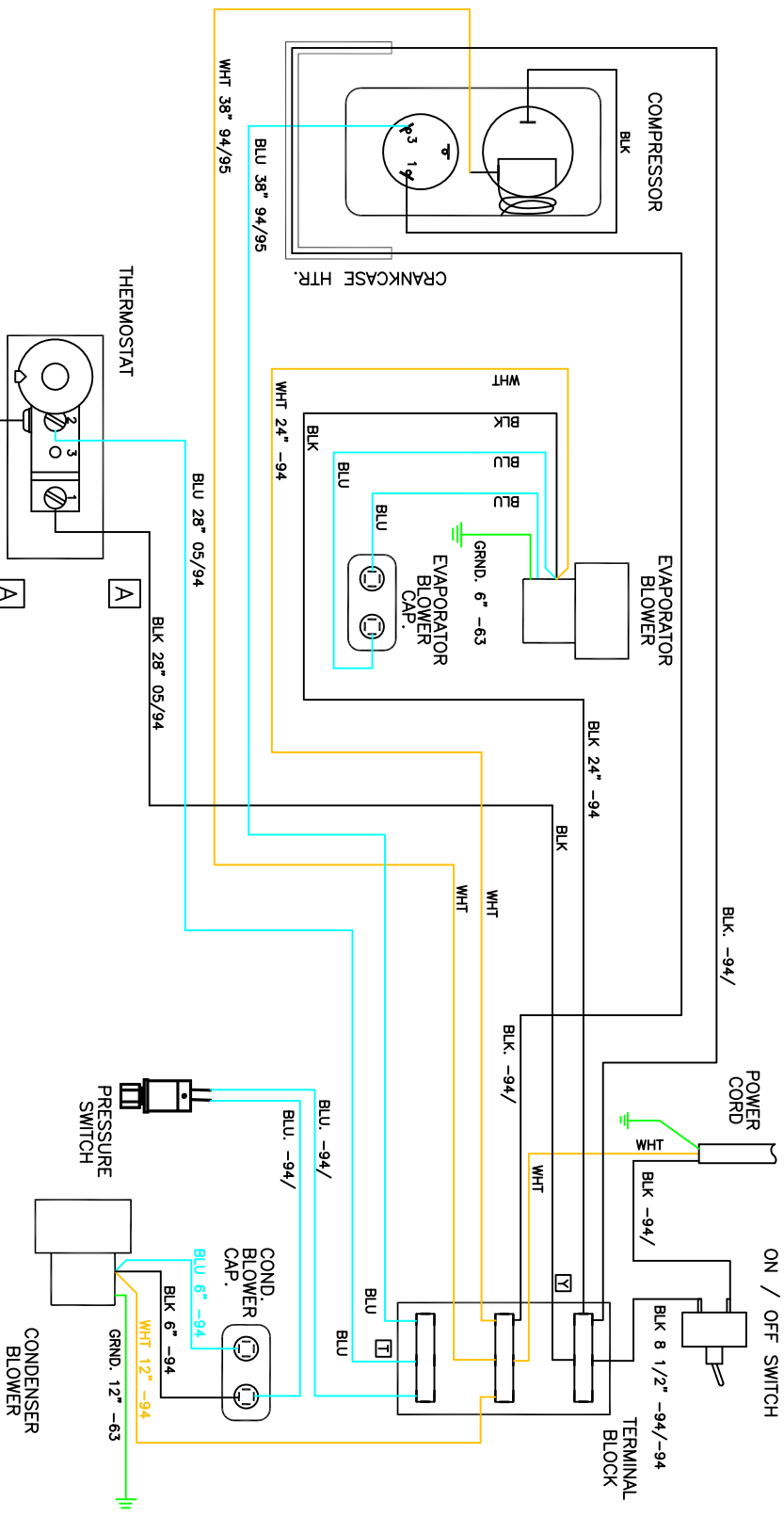


REV	DATE	APPROVED
1	10/23/07	DW
2	12/20/14	LM



TOP



PENNINGTON, NJ USA

WIRING DIAGRAM  
AIR CONDITIONER

DIMENSIONS ARE IN INCHES, UNLESS OTHERWISE SPECIFIED		DATE	
TOL. ON	INCHES	MM	DATE
.XX	± .02	±	10/23/07
.XXX	± .010	±	10/28/07
ANGULAR	± 1/2°		

UNIT	APPROVED	SCALE	CODE IDENT. NO.	SIZE	DWG. NO.	REV
KNA4C4P32L	B KRELELY	NONE	06223	C	WD-1214	A

1 2 3 4 5 6 7 8