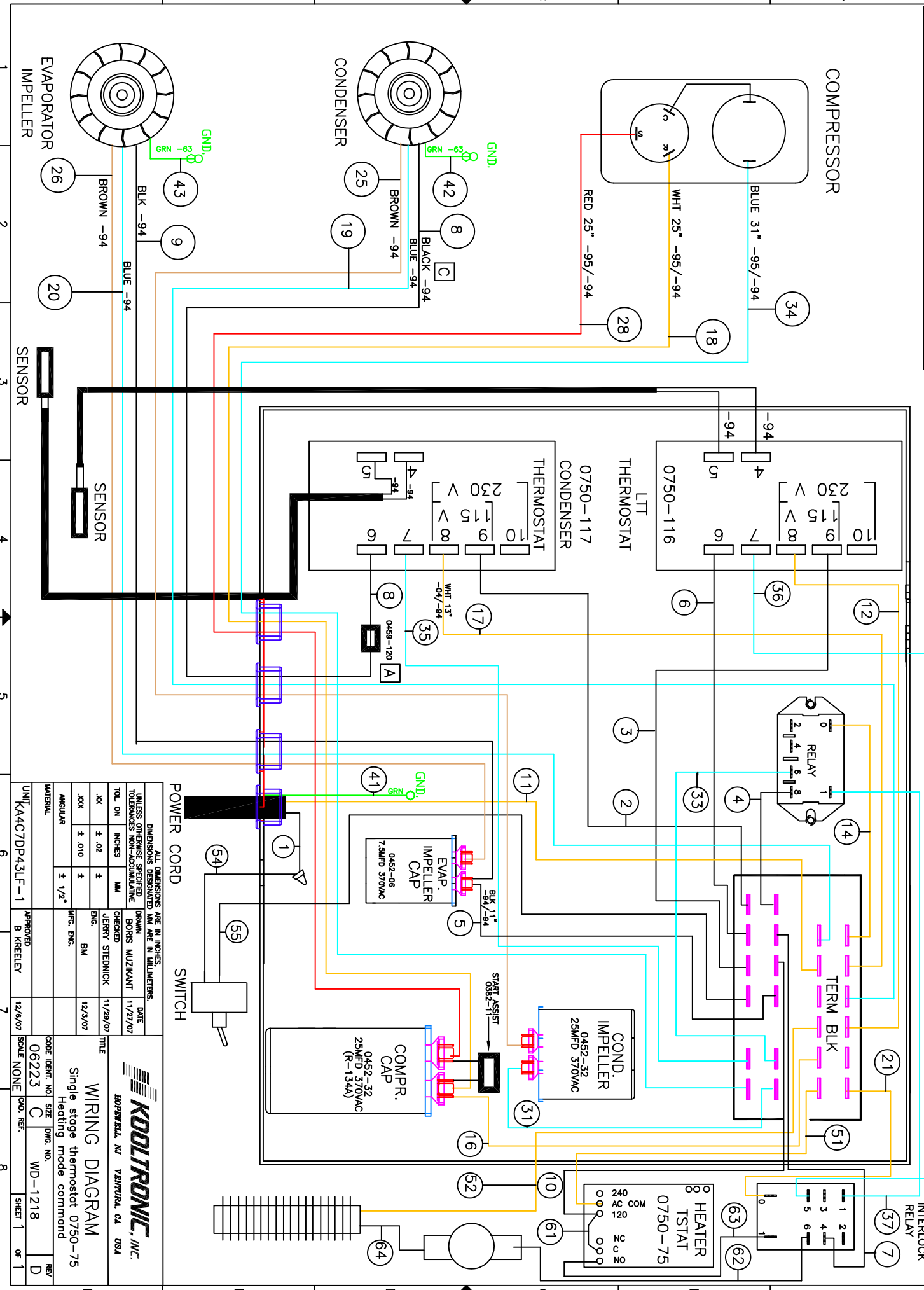


THIS DOCUMENT IS THE PROPERTY OF KOOLTRONIC, INC. AND CONTAINS PROPRIETARY AND CONFIDENTIAL INFORMATION WHICH MUST NOT BE DUPLICATED, USED OR DISCLOSED OTHER THAN AS EXPRESSLY AUTHORIZED BY KOOLTRONIC, INC.
 EC 15/620 CHANGED WIRE TERMINALS ON WIRE #8 & #25, WAS -94 12/9/15 US/

REV	DATE	APPROVED	REVISIONS
A	07/10/26		ADDED ITEM 8 & COND IMPELLER BLK.
B	08/07/18		REVISED START ASSIST TO COMP CAPACITOR
C	12/04/2		REVISED CONDENSER IMPELLER TERMINATION.
D	15/6/20		CHANGED WIRE TERMINALS ON WIRE #8 & #25, WAS -94 12/9/15 US/
			1/15/08 DM-
			4/18/08 SSS/ SWM
			3/21/12 DM-
			ER 07/10/8
			NEW DRAWING RELEASE.
			11/27/07 DM-S



POWER CORD SWITCH

ALL DIMENSIONS ARE IN INCHES. DIMENSIONS DESIGNATED MM ARE IN MILLIMETERS. UNLESS OTHERWISE SPECIFIED TOLERANCES NON-ACCUMULATIVE

TOL. ON INCHES	MM	DATE
XX ± .02	±	11/29/07
XXX ± .010	±	12/3/07
ANGULAR	± 1/2°	

DATE: 11/27/07
 CHECKED: JERRY STEDNICK
 ENGR. BM
 MFG. ENG.

APPROVED: B KREBLEY

DATE: 12/9/07

SCALE: NONE

SHEET 1 OF 1

KOOLTRONIC, INC.
 HOPEWELL, NJ VENTURA, CA USA

WIRING DIAGRAM
 Single stage thermostat 0750-75
 Heating mode command

CODE	IDENT. NO.	SIZE	DWG. NO.	REV
C	06223		WD-1218	D