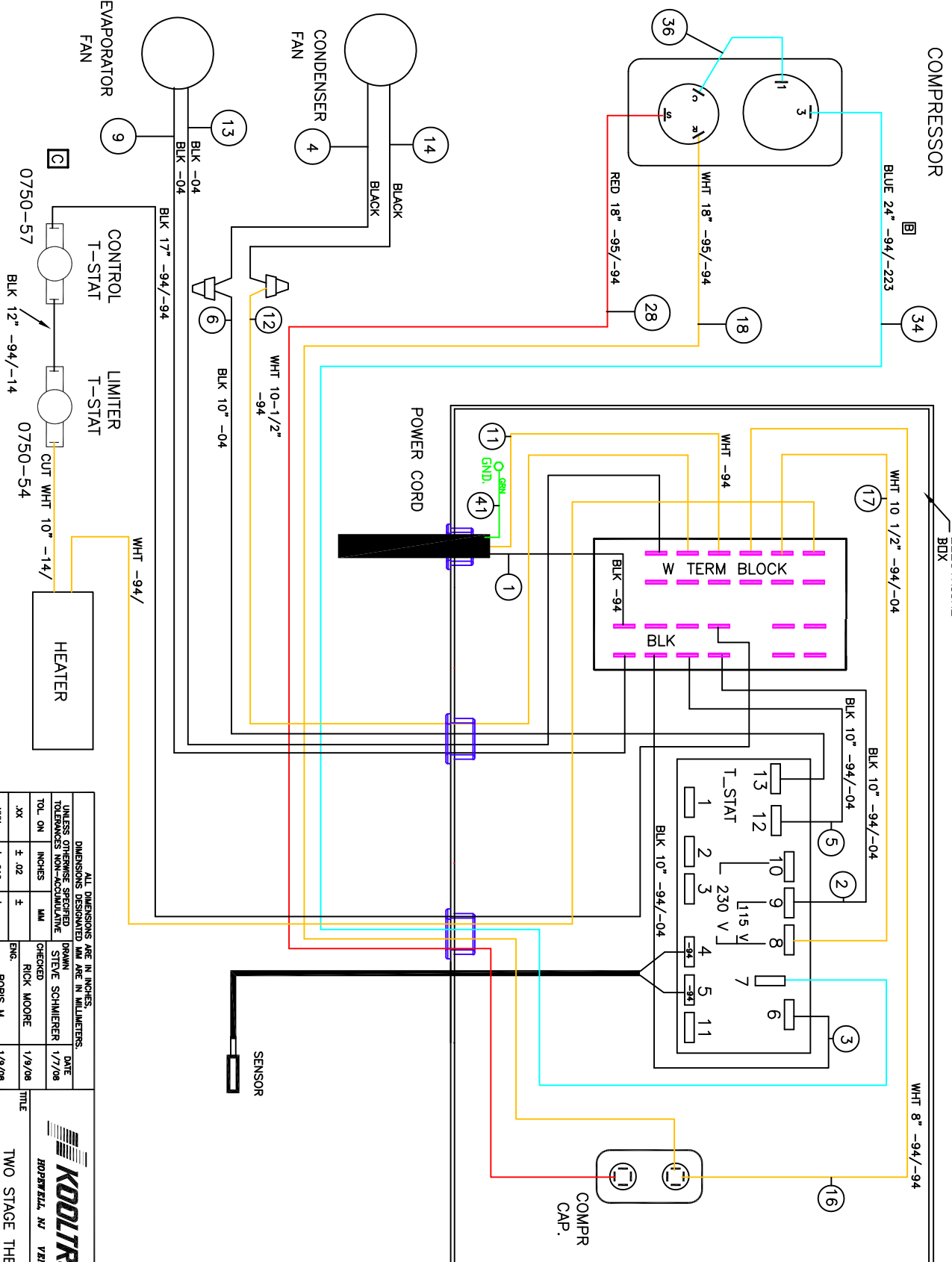


THIS DOCUMENT IS THE PROPERTY OF KOOLTRONIC, INC. AND CONTAINS PROPRIETARY AND CONFIDENTIAL INFORMATION WHICH MUST NOT BE DUPLICATED, USED OR DISCLOSED OTHER THAN AS EXPRESSLY AUTHORIZED BY KOOLTRONIC, INC.

REV	DATE	APPROVED	DESCRIPTION
1	1/7/08	SSS/MS	NEW DRAWING RELEASE
2	1/16/08	MEM/	REVERSED the words Limiter and Control Blk 12" -14/-94 was Blk. 6" -14/-94
3	9/9/10	US	REMOVED SMOKE SUPPRESSOR
4	9/25/14	LM	MOVED BLK HEATER WIRE ON TERMINAL BLOCK TO (BLACK WIRE) TERMINALS
5	6/17/08	RDW/JS	REVERSED LIMITER & CONTROL P/N's PER MARKED UP COPY
6	6/17/08	RDW/JS	REVERSED LIMITER & CONTROL P/N's PER MARKED UP COPY
7	6/17/08	RDW/JS	REVERSED LIMITER & CONTROL P/N's PER MARKED UP COPY
8	6/17/08	RDW/JS	REVERSED LIMITER & CONTROL P/N's PER MARKED UP COPY
9	6/17/08	RDW/JS	REVERSED LIMITER & CONTROL P/N's PER MARKED UP COPY
10	6/17/08	RDW/JS	REVERSED LIMITER & CONTROL P/N's PER MARKED UP COPY
11	6/17/08	RDW/JS	REVERSED LIMITER & CONTROL P/N's PER MARKED UP COPY
12	6/17/08	RDW/JS	REVERSED LIMITER & CONTROL P/N's PER MARKED UP COPY
13	6/17/08	RDW/JS	REVERSED LIMITER & CONTROL P/N's PER MARKED UP COPY
14	6/17/08	RDW/JS	REVERSED LIMITER & CONTROL P/N's PER MARKED UP COPY
15	6/17/08	RDW/JS	REVERSED LIMITER & CONTROL P/N's PER MARKED UP COPY
16	6/17/08	RDW/JS	REVERSED LIMITER & CONTROL P/N's PER MARKED UP COPY
17	6/17/08	RDW/JS	REVERSED LIMITER & CONTROL P/N's PER MARKED UP COPY
18	6/17/08	RDW/JS	REVERSED LIMITER & CONTROL P/N's PER MARKED UP COPY
19	6/17/08	RDW/JS	REVERSED LIMITER & CONTROL P/N's PER MARKED UP COPY
20	6/17/08	RDW/JS	REVERSED LIMITER & CONTROL P/N's PER MARKED UP COPY
21	6/17/08	RDW/JS	REVERSED LIMITER & CONTROL P/N's PER MARKED UP COPY
22	6/17/08	RDW/JS	REVERSED LIMITER & CONTROL P/N's PER MARKED UP COPY
23	6/17/08	RDW/JS	REVERSED LIMITER & CONTROL P/N's PER MARKED UP COPY
24	6/17/08	RDW/JS	REVERSED LIMITER & CONTROL P/N's PER MARKED UP COPY
25	6/17/08	RDW/JS	REVERSED LIMITER & CONTROL P/N's PER MARKED UP COPY
26	6/17/08	RDW/JS	REVERSED LIMITER & CONTROL P/N's PER MARKED UP COPY
27	6/17/08	RDW/JS	REVERSED LIMITER & CONTROL P/N's PER MARKED UP COPY
28	6/17/08	RDW/JS	REVERSED LIMITER & CONTROL P/N's PER MARKED UP COPY
29	6/17/08	RDW/JS	REVERSED LIMITER & CONTROL P/N's PER MARKED UP COPY
30	6/17/08	RDW/JS	REVERSED LIMITER & CONTROL P/N's PER MARKED UP COPY
31	6/17/08	RDW/JS	REVERSED LIMITER & CONTROL P/N's PER MARKED UP COPY
32	6/17/08	RDW/JS	REVERSED LIMITER & CONTROL P/N's PER MARKED UP COPY
33	6/17/08	RDW/JS	REVERSED LIMITER & CONTROL P/N's PER MARKED UP COPY
34	6/17/08	RDW/JS	REVERSED LIMITER & CONTROL P/N's PER MARKED UP COPY



UNIT	APPROVED	DATE	SCALE	SHEET	OF
KA4C2DP17LF	B KRETELLEY	1/9/08	NONE	1	1

CODE IDENT. NO.	SIZE	DWG. NO.	REV
06223	C	WD-1223	E

TITLE	DATE	APPROVED
TWO STAGE THERMOSTAT WIRING DIAGRAM	1/7/08	B KRETELLEY

UNLESS OTHERWISE SPECIFIED DIMENSIONS DESIGNATED MM ARE IN MILLIMETERS.	DATE
TOL. ON INCHES	1/7/08
TOLERANCES NON-ACCUMULATIVE	
XX ± .02	
XXX ± .010	
ANGULAR ± 1/2°	

CHECKED	DATE
STEVE SCHAMERER	1/7/08
DRYAN	
BOBIS M	1/9/08
ENG.	
BOBIS M	1/9/08
MFG. ENG.	

COMPANY	ADDRESS
KOOLTRONIC, INC.	HOPEWELL, NJ 07868
	VENTURA, CA USA