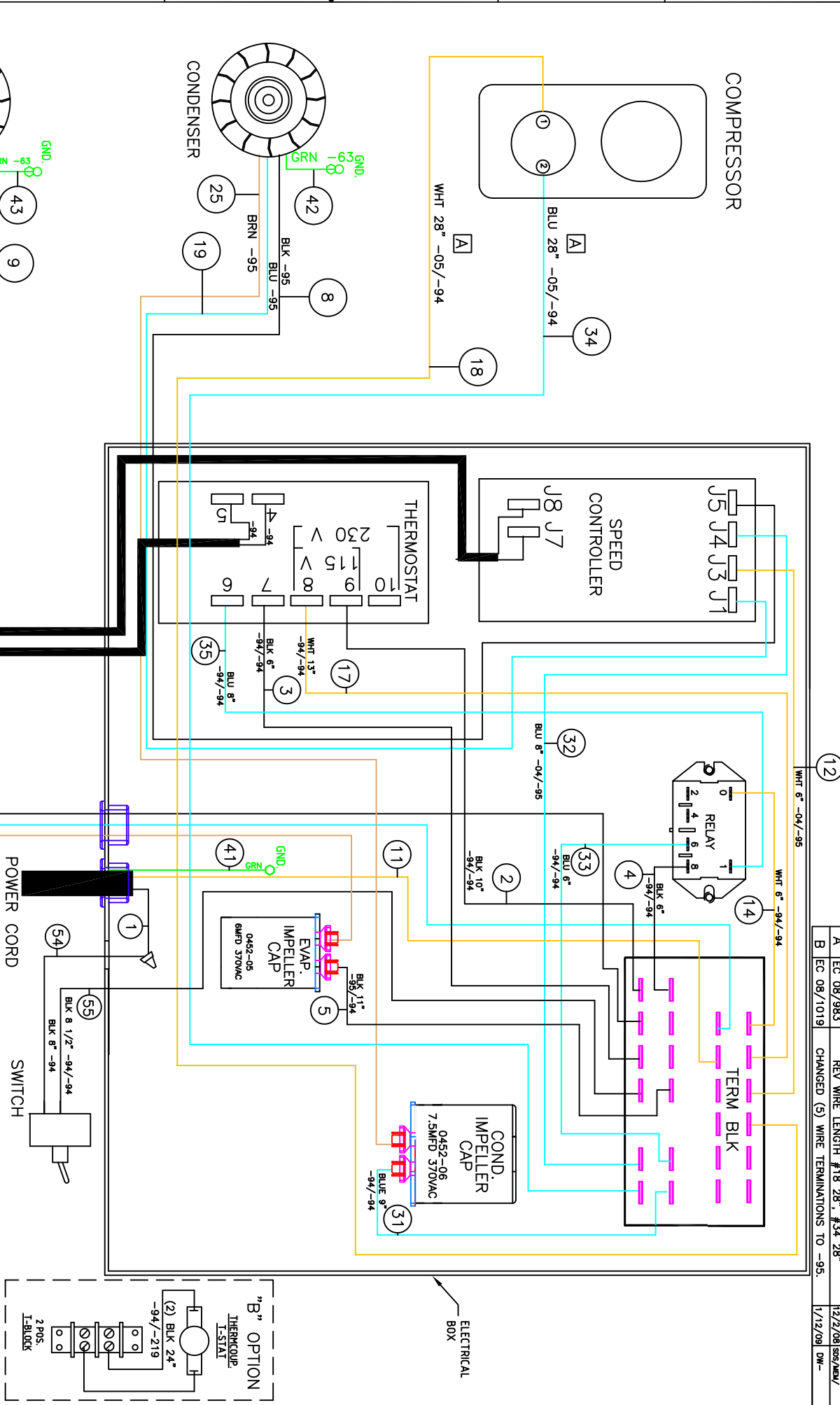


THIS DOCUMENT IS THE PROPERTY OF KOOLTRONIC, INC. AND CONTAINS PROPRIETARY AND CONFIDENTIAL INFORMATION WHICH MUST NOT BE DUPLICATED, USED OR DISCLOSED OTHER THAN AS EXPRESSLY AUTHORIZED BY KOOLTRONIC, INC.

REV	DATE	APPROVED	DESCRIPTION	BY	DATE
C	EC 09/182		Removed 3 bushings & rerouted wires pictorially	5/14/09	em/
D	ER 10/082		ADDED "B" OPTION	9/17/10	ss/
E	EC 14/170		REMOVED SURGE SUPPRESSOR	8/25/14	lw/
A	EC 08/983		REV WIRE LENGTH #18 28", #34 28"		
B	EC 08/1019		CHANGED (5) WIRE TERMINATIONS TO -95.	1/12/09	dw-



DIMENSIONS ARE IN INCHES.		DIMENSIONS ARE IN MILLIMETERS.	
TOLERANCES UNLESS SPECIFIED	DRAWN	DATE	
TOLERANCES NOT INDICATED	D. WALDRON	3/9/08	
TOL. ON INCHES	CHECKED	JERRY STEDNICK	4/1/08
.XX ± .02	ENG.	BORIS M.	4/25/08
.XXX ± .010	MRG. ENG.		
ANGULAR			
MATERIAL			

UNIT KAAC5RML (B)	APPROVED	DATE	REV
	B. KNEELEY	5/15/08	WD-1231 E
			SCALE NONE
			CMD. REF.
			SHEET 1 OF 1

KOOLTRONIC, INC.
 8029 BELL AVENUE, VENTURA, CA 93143, USA

WIRING DIAGRAM

"B" OPTION
 THERMISTOR
 T-STAT
 (2) BLK 24"
 -94/-219
 2 POS. I-BLOCK