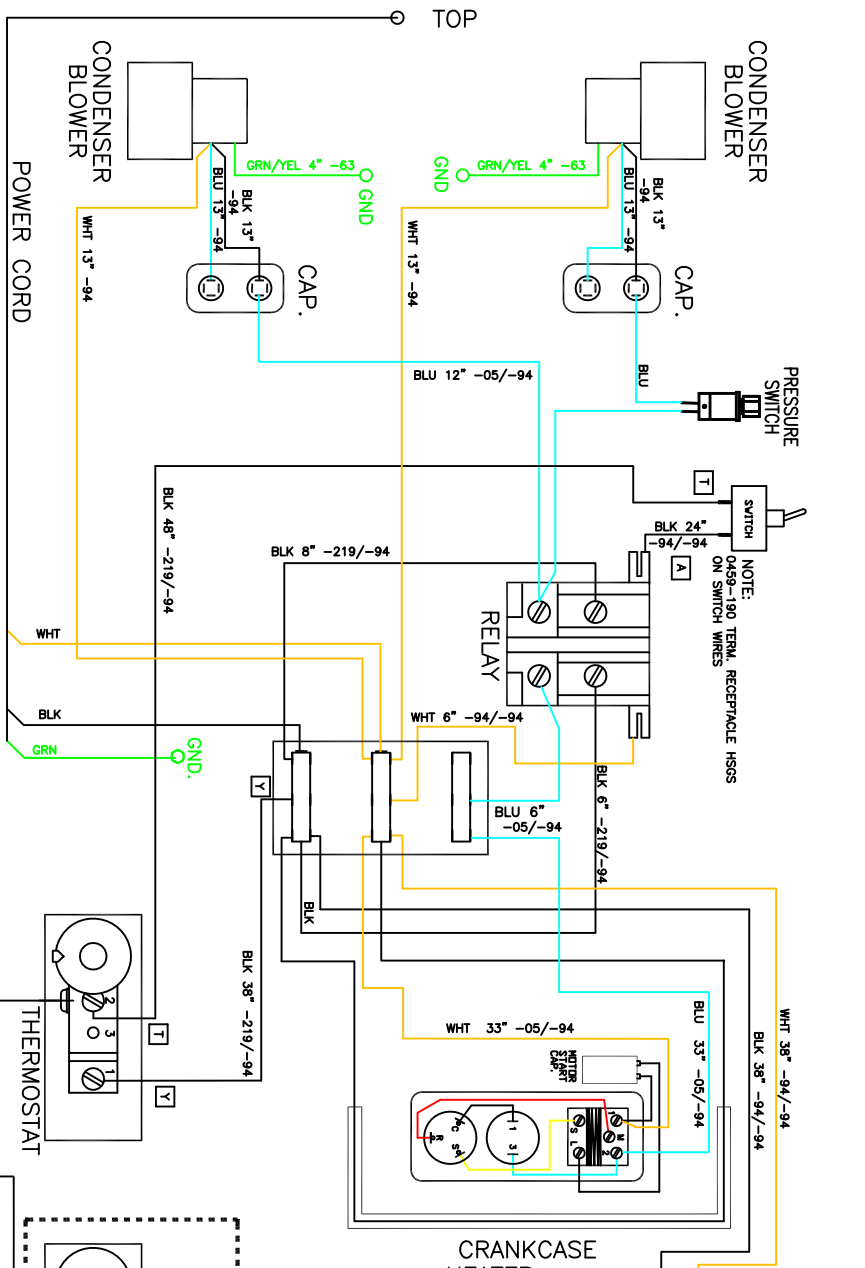
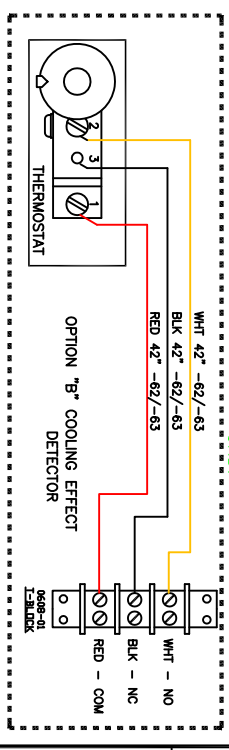


THIS DOCUMENT IS THE PROPERTY OF KOOLTRONIC, INC. AND CONTAINS PROPRIETARY AND CONFIDENTIAL INFORMATION WHICH MUST NOT BE DUPLICATED, USED OR DISCLOSED TO OTHERS, EXCEPT AS EXPRESSLY AUTHORIZED IN WRITING BY KOOLTRONIC, INC.



| REVISIONS | | | | |
|-----------|-----------|--------------------------|----------|----------|
| SYM | NOTICE | DESCRIPTION | DATE | APPROVED |
| - | ER 08/070 | NEW DRAWING RELEASE | 8/22/08 | JS DW- |
| A | EC 10/662 | REPLACED WIRE | 12/22/10 | DW- |
| B | EC 14/170 | REMOVED SURGE SUPPRESSOR | 8/25/14 | LM/ |



| DIMENSIONS ARE IN INCHES. DIMENSIONS DESIGNED MM ARE IN MILLIMETERS. | | | |
|--|--------|----|---------|
| TOL. ON | INCHES | MM | DATE |
| ± .02 | ± | ± | 8/25/08 |
| ± .010 | ± | ± | 8/25/08 |
| ± 1/2" | ± | ± | |

| DESIGNED | CHECKED | DATE |
|----------------------|---------|------|
| DRAWN JERRY STEINICK | 8/22/08 | |
| ENG. JIM D | 8/25/08 | |
| WFR. ENG. | | |

| CODE | ISSNT. NO. | SIZE | DWG. NO. | REV. |
|-------|------------|------|----------|------|
| 06223 | B | B | WD-1256 | B |

| APPROVED | DATE | SCALE | REF. | WD-1256 | SHEET | OF |
|----------------|---------|-------|---------|---------|-------|----|
| BRUCE KRELELEY | 8/25/08 | NONE | WD-1256 | 1 | 1 | 1 |

KOOLTRONIC, INC.
 400 PINE BLVD. NJ
 YERKONA, CA USA

WIRING DIAGRAM
AIR CONDITIONER