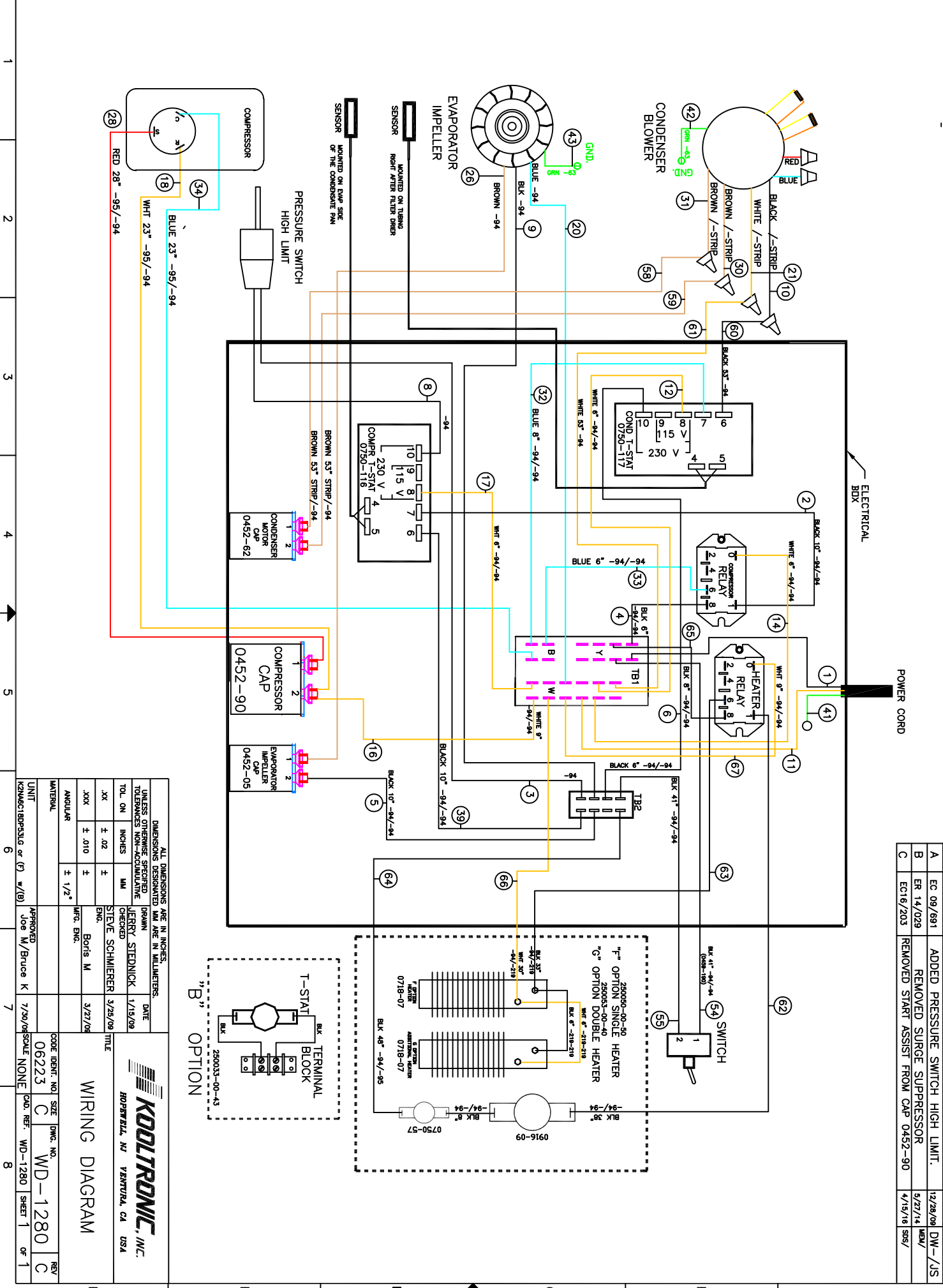


THIS DOCUMENT IS THE PROPERTY OF KOOLTRONIC, INC. AND CONTAINS PROPRIETARY AND CONFIDENTIAL INFORMATION WHICH MUST NOT BE DUPLICATED, USED OR DISCLOSED OTHER THAN AS EXPRESSLY AUTHORIZED BY KOOLTRONIC, INC.



REV	DESCRIPTION	DATE	APPROVED
7	NEW DRAWING RELEASE	1/15/08	JS
6	ADDED PRESSURE SWITCH HIGH LIMIT.	12/28/08	DW - JS
5	REMOVED SURGE SUPPRESSOR	5/27/14	MBW
4	REMOVED START ASSIST FROM CAP 0452-90	4/15/18	SBS

DIMENSIONS ARE IN INCHES, UNLESS OTHERWISE SPECIFIED		DIMENSIONS DESIGNATED MM ARE IN MILLIMETERS, UNLESS OTHERWISE SPECIFIED	
TOL. ON INCHES	MM	TOL. ON INCHES	MM
XX ± .02	±	JERRY STEDNICK	1/15/08
XXX ± .010	±	STEVE SCHMIERER	3/25/08
ANGULAR ± 1/2°	±	Boris M	3/27/08
APPROVED		DATE	
Joe M/Bruce K		3/27/08	
7/30/08		SCALE NONE	
UNIT K2MAGC18P53LG or (F) W(9)		CODE IDENT. NO. SIZE DWG. NO.	
NONE		06223 C WD-1280	
		CAD. REF. WD-1280	
		SHEET 1 OF 1	

KOOLTRONIC, INC.

 HOPWELL, NJ VENTURA, CA USA

WIRING DIAGRAM