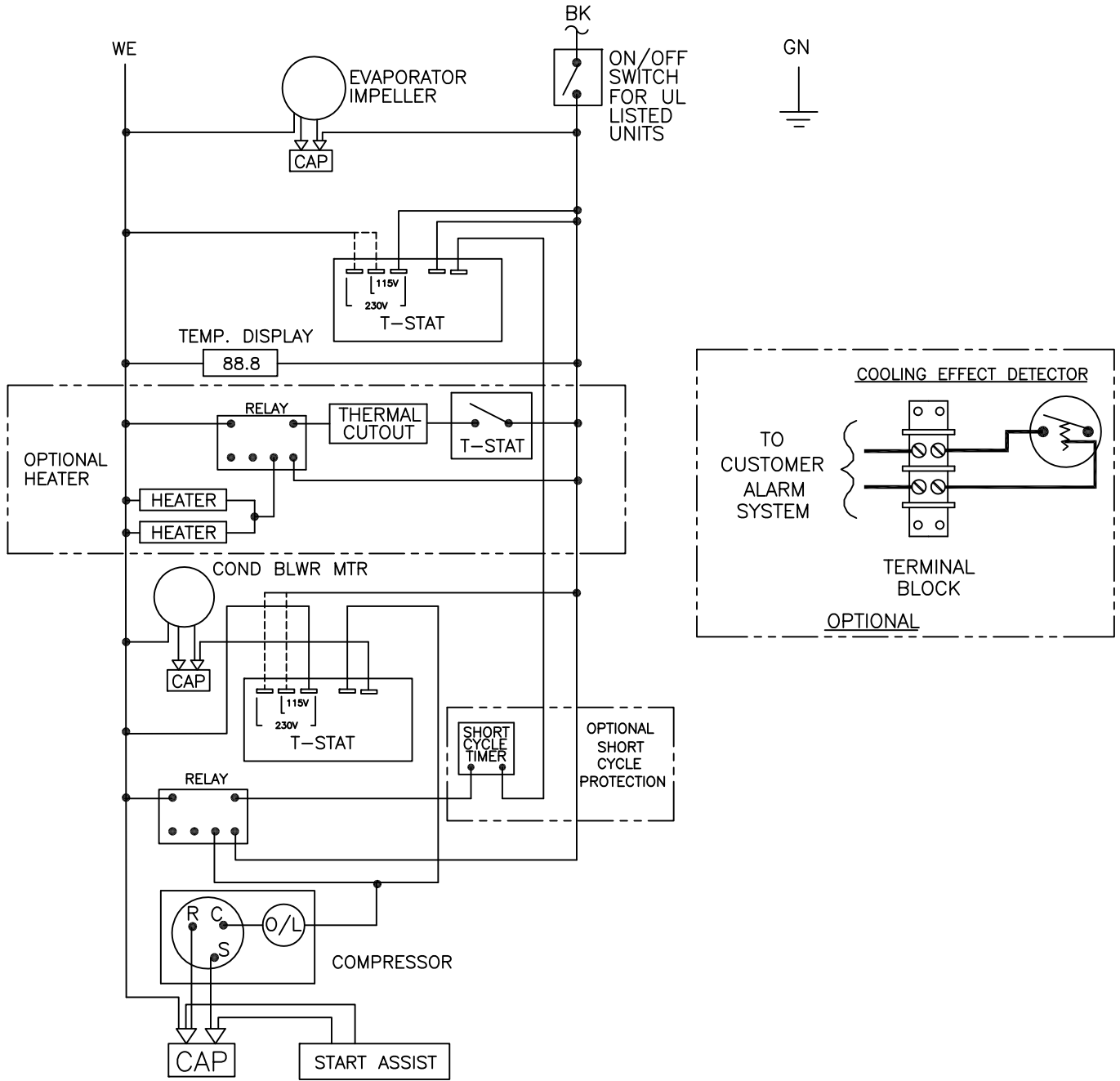


THIS DOCUMENT IS THE PROPERTY OF KOOLTRONIC, INC. AND CONTAINS PROPRIETARY AND CONFIDENTIAL INFORMATION WHICH MUST NOT BE DUPLICATED, USED OR DISCLOSED TO OTHERS, EXCEPT AS EXPRESSLY AUTHORIZED IN WRITING BY KOOLTRONIC, INC.

REVISIONS

SYM	NOTICE	DESCRIPTION	DATE	APPROVED
-	ER 09/062	NEW DRAWING RELEASE.	9/3/09	DW-/JS
A	EC 14/170	REMOVED SURGE SUPPRESSOR	10/28/14	LM/



ALL DIMENSIONS ARE IN INCHES,
DIMENSIONS DESIGNATED MM ARE IN MILLIMETERS.

UNLESS OTHERWISE SPECIFIED
TOLERANCES NON-ACCUMULATIVE

TOL. ON	INCHES	MM
.XX	± .02	±
.XXX	± .010	±
ANGULAR		± 1/2°

DRAWN	DATE
D.WALDRON	9/3/09
CHECKED JERRY STEDNICK	10/27/09
ENG. Ron Kaufman	11/3/09
MFG. ENG.	



WIRING DIAGRAM

MATERIAL		CODE IDENT. NO.	SIZE	DWG. NO.	REV
UNITS	KA4C6RTL	APPROVED Joe M/Bruce K	06223	A	WD-1307
		11/30/09	SCALE NONE	CAD. REF.	SHEET 1 OF 1