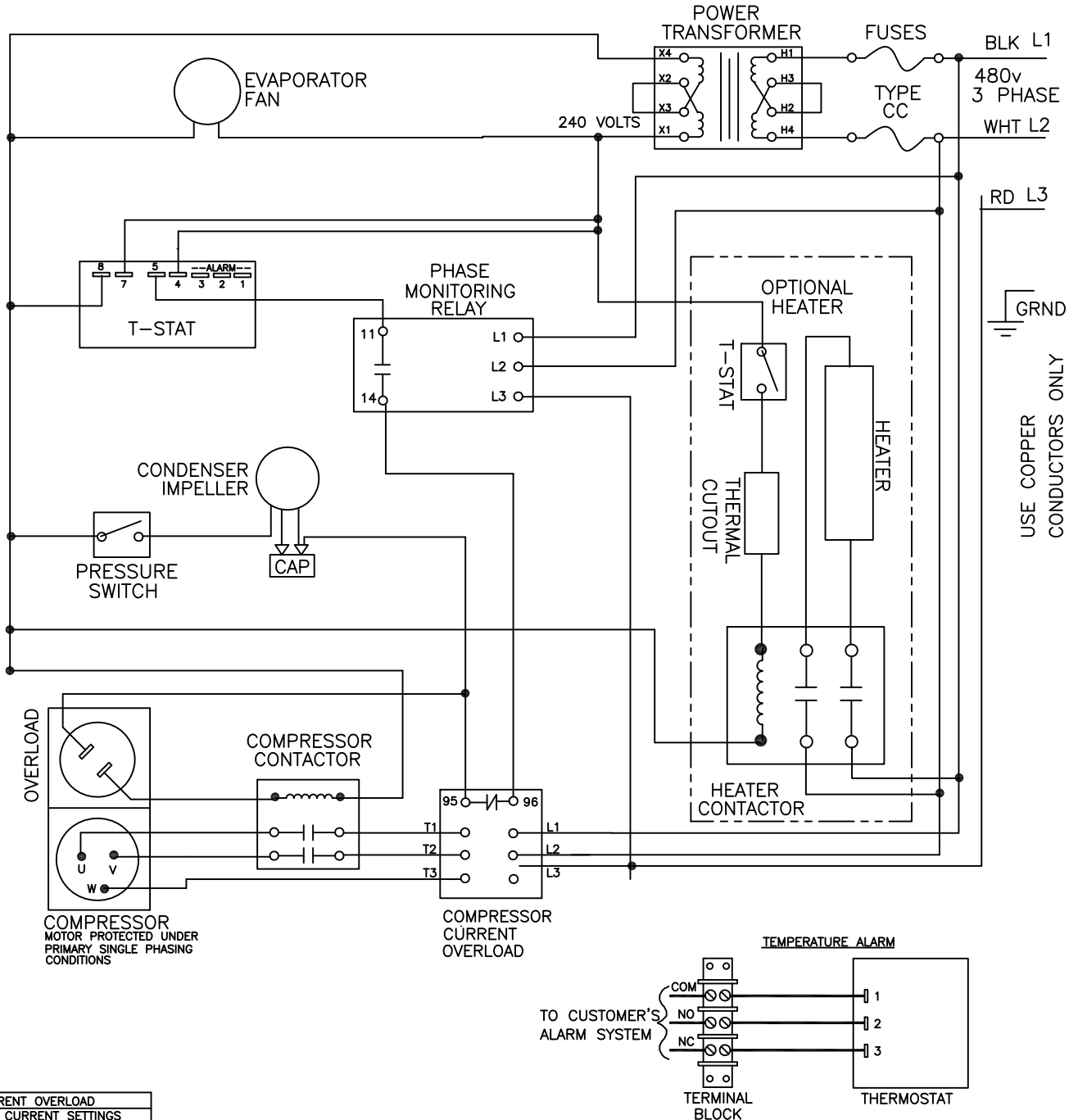


THIS DOCUMENT IS THE PROPERTY OF KOOLTRONIC, INC. AND CONTAINS PROPRIETARY AND CONFIDENTIAL INFORMATION WHICH MUST NOT BE DUPLICATED, USED OR DISCLOSED TO OTHERS, EXCEPT AS EXPRESSLY AUTHORIZED IN WRITING BY KOOLTRONIC, INC.

REVISIONS

SYM	NOTICE	DESCRIPTION	DATE	APPROVED
-	ER 13/013	NEW DRAWING RELEASE	7/9/13	JS
A	EC 14/503	NAME CHANGE: TEMPERATURE ALARM WAS COOLING EFFECT DETECTOR	11/25/14	JS



COMPRESSOR CURRENT OVERLOAD	
MODEL	TRIP CURRENT SETTINGS
K3NA4C4SP28L	2.2 AMPS

ALL DIMENSIONS ARE IN INCHES, DIMENSIONS DESIGNATED MM ARE IN MILLIMETERS.

UNLESS OTHERWISE SPECIFIED TOLERANCES NON-ACCUMULATIVE		
TOL. ON	INCHES	MM
.XX	± .02	±
.XXX	± .010	±
ANGULAR		± 1/2°

DRAWN	DATE
JERRY STEDNICK	7/9/13
CHECKED Steve Schmierer	7/17/13
ENG. JIM DISLER	7/9/13
MFG. ENG.	



WIRING DIAGRAM

MATERIAL	UNITS	APPROVED	DATE	CODE IDENT. NO.	SIZE	DWG. NO.	REV
SP28 3PHASE		Joe M/Bruce K	7/24/13	06223	A	WD-1445	A
				SCALE	N/A	CAD. REF	WD-1445
				SHEET		1 OF 1	