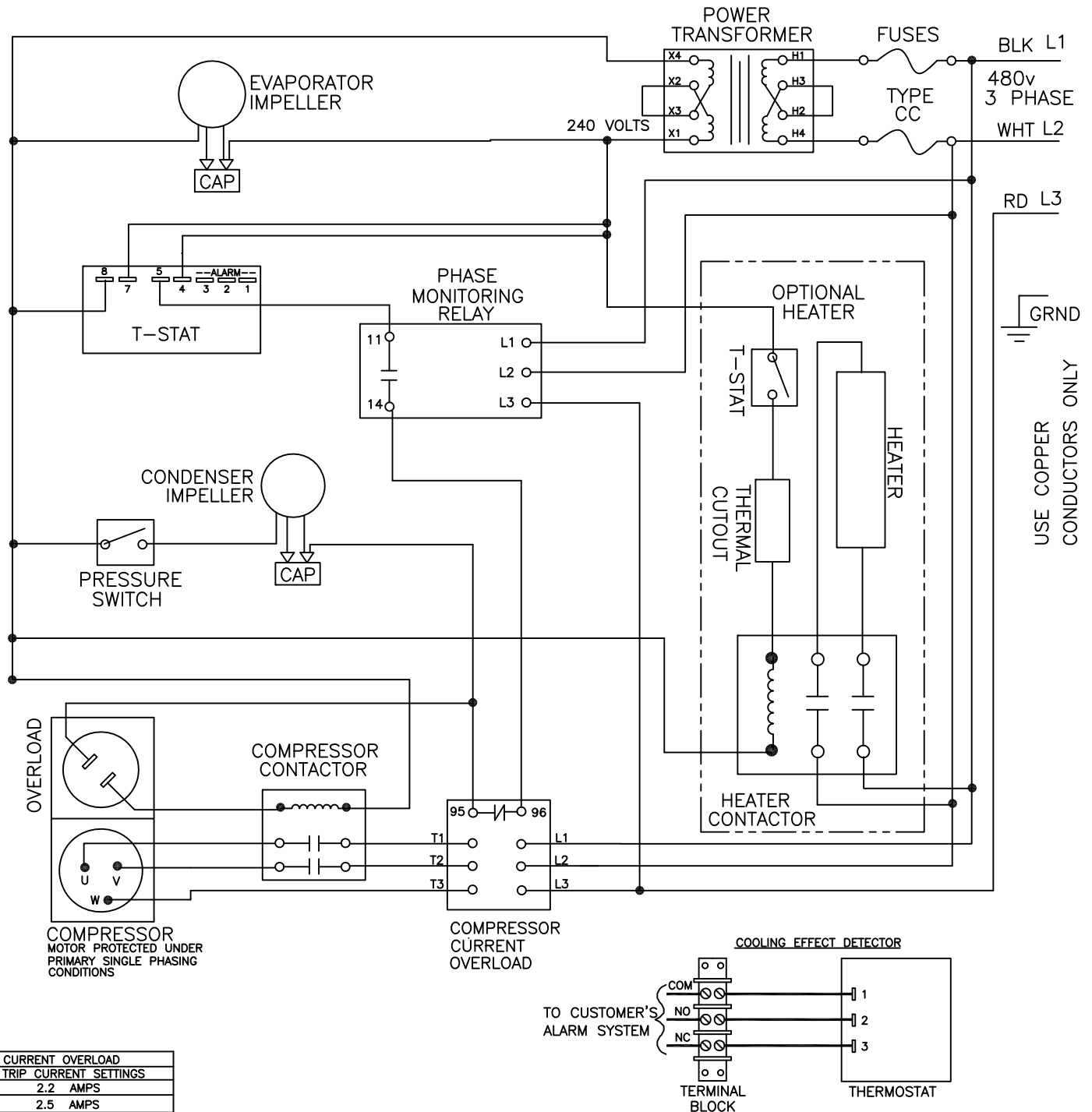


THIS DOCUMENT IS THE PROPERTY OF KOOLTRONIC, INC. AND CONTAINS PROPRIETARY AND CONFIDENTIAL INFORMATION WHICH MUST NOT BE DUPLICATED, USED OR DISCLOSED TO OTHERS, EXCEPT AS EXPRESSLY AUTHORIZED IN WRITING BY KOOLTRONIC, INC.

REVISIONS

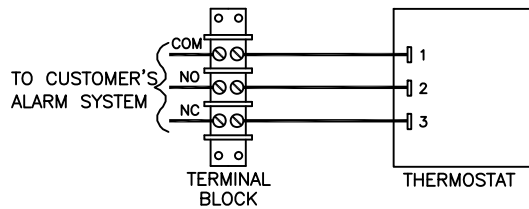
SYM	NOTICE	DESCRIPTION	DATE	APPROVED
-	ER 13/050	NEW DRAWING RELEASE	7/9/13	JS



COMPRESSOR MOTOR PROTECTED UNDER PRIMARY SINGLE PHASING CONDITIONS

COMPRESSOR CURRENT OVERLOAD

COOLING EFFECT DETECTOR



COMPRESSOR CURRENT OVERLOAD	
MODEL	TRIP CURRENT SETTINGS
K3NA4C6SP36L	2.2 AMPS
K3NA4C8SP36L	2.5 AMPS
K3NA4C11SP43L	3.2 AMPS

ALL DIMENSIONS ARE IN INCHES, DIMENSIONS DESIGNATED MM ARE IN MILLIMETERS.

UNLESS OTHERWISE SPECIFIED TOLERANCES NON-ACCUMULATIVE			DRAWN	DATE
TOL. ON	INCHES	MM	JERRY STEDNICK	7/9/13
.XX	± .02	±	CHECKED Mike M	11/19/13
.XXX	± .010	±	ENG. JIM DISLER	5/19/14
ANGULAR		± 1/2°	MFG. ENG.	
MATERIAL				
UNITS SP36 & SP43	3PHASE		APPROVED Joe M/Bruce K	5/27/14

KOOLTRONIC, INC.
HOPEWELL, NJ VENTURA, CA USA

WIRING DIAGRAM

CODE IDENT. NO.	SIZE	DWG. NO.	REV
06223	A	WD-1447	-
SCALE N/A	CAD. REF. WD-1447	SHEET 1 OF 1	