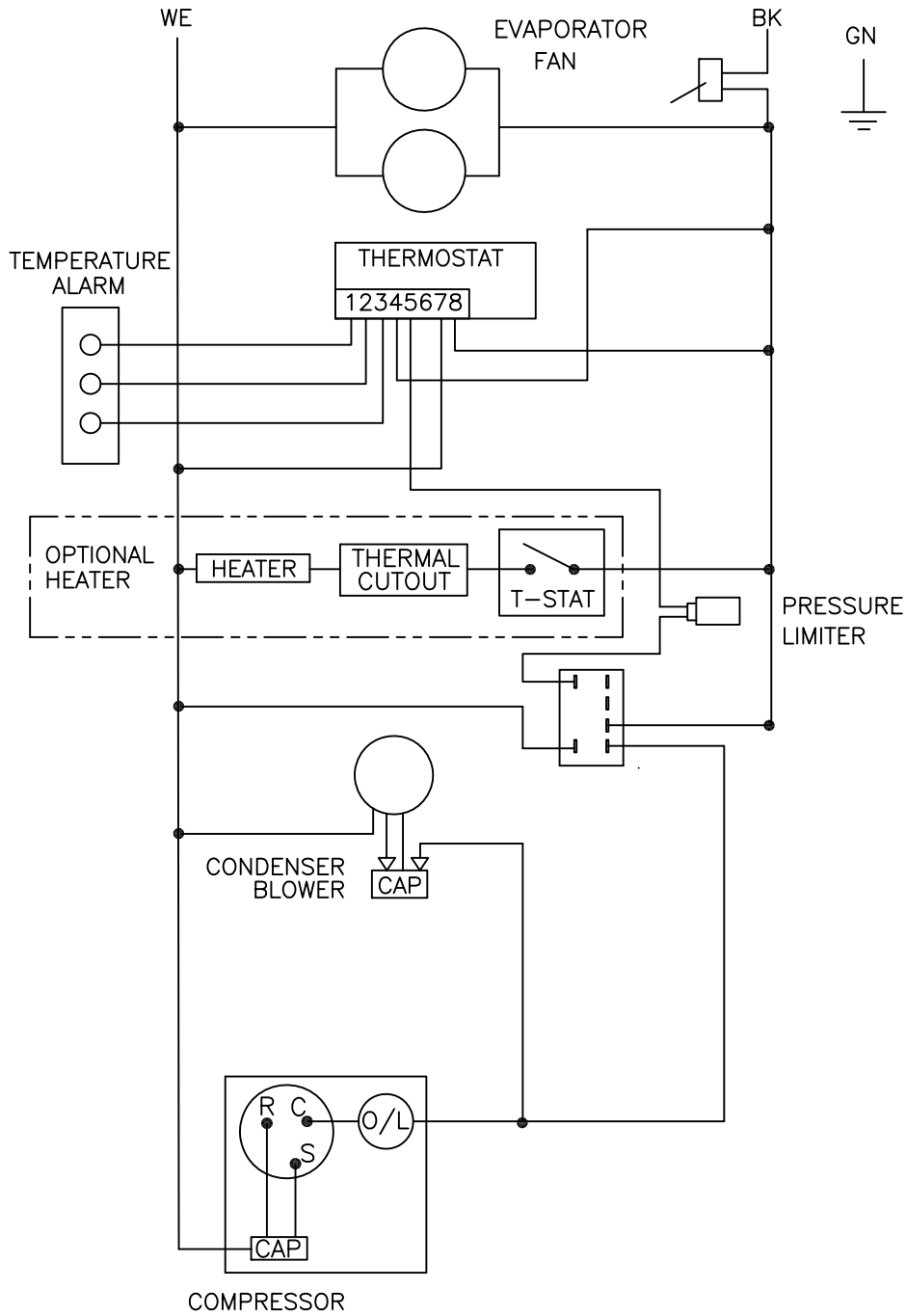


THIS DOCUMENT IS THE PROPERTY OF KOOLTRONIC, INC. AND CONTAINS PROPRIETARY AND CONFIDENTIAL INFORMATION WHICH MUST NOT BE DUPLICATED, USED OR DISCLOSED TO OTHERS, EXCEPT AS EXPRESSLY AUTHORIZED IN WRITING BY KOOLTRONIC, INC.

REVISIONS

SYM	NOTICE	DESCRIPTION	DATE	APPROVED
-	ER 12/067	NEW DRAWING RELEASE.	11/12/13	DW-
A	EC 14/503	NAME CHANGE: TEMPERATURE ALARM WAS COOLING EFFECT DETECTOR	11/25/14	JS



ALL DIMENSIONS ARE IN INCHES,
DIMENSIONS DESIGNATED MM ARE IN MILLIMETERS.

UNLESS OTHERWISE SPECIFIED
TOLERANCES NON-ACCUMULATIVE

TOL. ON	INCHES	MM
.XX	± .02	±
.XXX	± .010	±
ANGULAR		± 1/2°

DRAWN	DATE
BORIS MUZIKANT	11/12/13
CHECKED Mike Mc	11/12/13
ENG. BORIS MUZIKANT	11/12/13
MFG. ENG.	



WIRING DIAGRAM

MATERIAL		CODE IDENT. NO. 06223	SIZE A	DWG. NO. WD-1451	REV A
UNITS K_A6C6HL40L	APPROVED Joe M/Bruce K	11/18/13	SCALE N/A	CAD. REF.	SHEET 1 OF 1