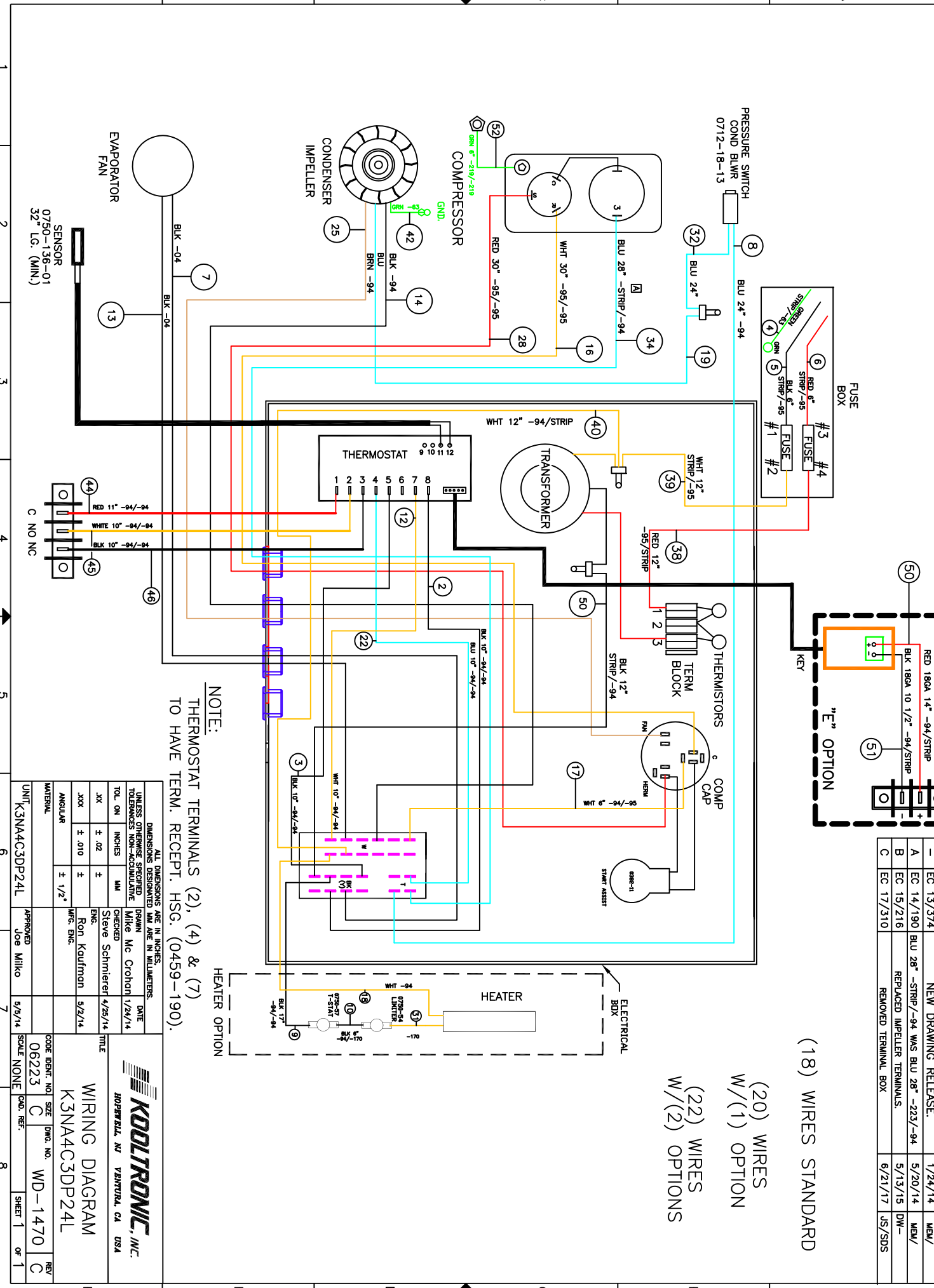


THIS DOCUMENT IS THE PROPERTY OF KOOLTRONIC, INC. AND CONTAINS PROPRIETARY AND CONFIDENTIAL INFORMATION WHICH MUST NOT BE DUPLICATED, USED OR DISCLOSED OTHER THAN AS EXPRESSLY AUTHORIZED BY KOOLTRONIC, INC.



NOTE:
THERMOSTAT TERMINALS (2), (4) & (7)
TO HAVE TERM. RECEPT. HSG. (0459-190).

SYM	NOTICE	DESCRIPTION	DATE	APPROVED
-	EC 13/374	NEW DRAWING RELEASE.	1/24/14	MEM/
A	EC 14/190	BLU 28" -STRIP/-94 WAS BLU 28" -223/-94	5/20/14	MEM/
B	EC 15/216	REPLACED IMPELLER TERMINALS.	5/13/15	DW-
C	EC 17/310	REMOVED TERMINAL BOX	6/21/17	JS/SBS

(18) WIRES STANDARD

(20) WIRES
W/(1) OPTION

(22) WIRES
W/(2) OPTIONS

DIMENSIONS DESIGNATED MM ARE IN MILLIMETERS.		DATE	
UNLESS OTHERWISE SPECIFIED DRAWN		CHECKED	
TOLERANCES NON-ACCUMULATIVE		ENG.	
TOL. ON	INCHES	MM	MM
XX	± .02	±	±
XXX	± .010	±	±
ANGULAR	± 1/2°		

UNFIN	K3NA4C3DP24L	APPROVED	Joe Milko	5/9/14
SCALE	NONE			

CODE IDENT. NO.	SIZE	DWG. NO.	REV
06223	C	WD-1470	C
CAD. REF.			

Kooltronic, Inc.	
ROPERVILLE, NJ VENTURA, CA USA	
TITLE	
WIRING DIAGRAM	
K3NA4C3DP24L	
SHEET 1 OF 1	