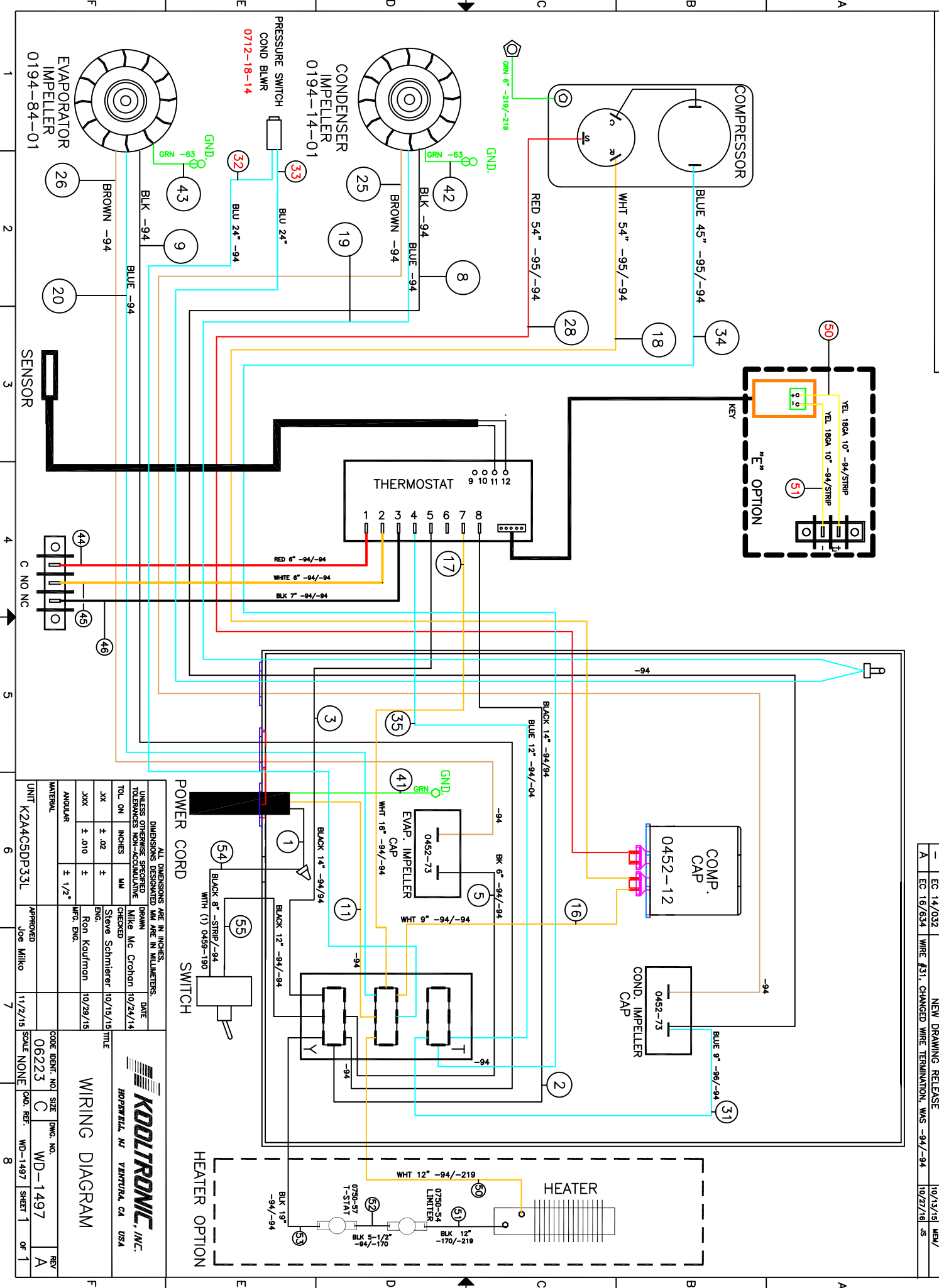


THIS DOCUMENT IS THE PROPERTY OF KOOLTRONIC, INC. AND CONTAINS PROPRIETARY AND CONFIDENTIAL INFORMATION WHICH MUST NOT BE DUPLICATED, USED OR DISCLOSED OTHER THAN AS EXPRESSLY AUTHORIZED BY KOOLTRONIC, INC.



REVISIONS		DESCRIPTION	DATE	APPROVED
SWM	NOTICE	NEW DRAWING RELEASE	10/13/15	MMW/
A	EC 16/634	WIRE #31, CHANGED WIRE TERMINATION, WAS -94/-94	10/27/16	JS

DIMENSIONS DESIGNATED MM ARE IN MILLIMETERS.		DATE	
UNLESS OTHERWISE SPECIFIED DRAWN			
TOLERANCES NON-ACQUAINTANCE			
TOL. ON INCHES	MM	ENGINEER	DATE
.XX	± .02	Steve Schmiener	10/15/15
.XXX	± .010	Ron Koufron	10/29/15
ANGULAR	±	MFG. ENG.	
MATERIAL	± 1/2"		
UNIT	K2A4CSDP33L	APPROVED	11/2/15
		Joe Milko	

WIRING DIAGRAM	
CODE IDENT. NO.	SIZE
06223	C
CAD. REF.	WD-1497
SCALE	NONE
SHEET	1 OF 1