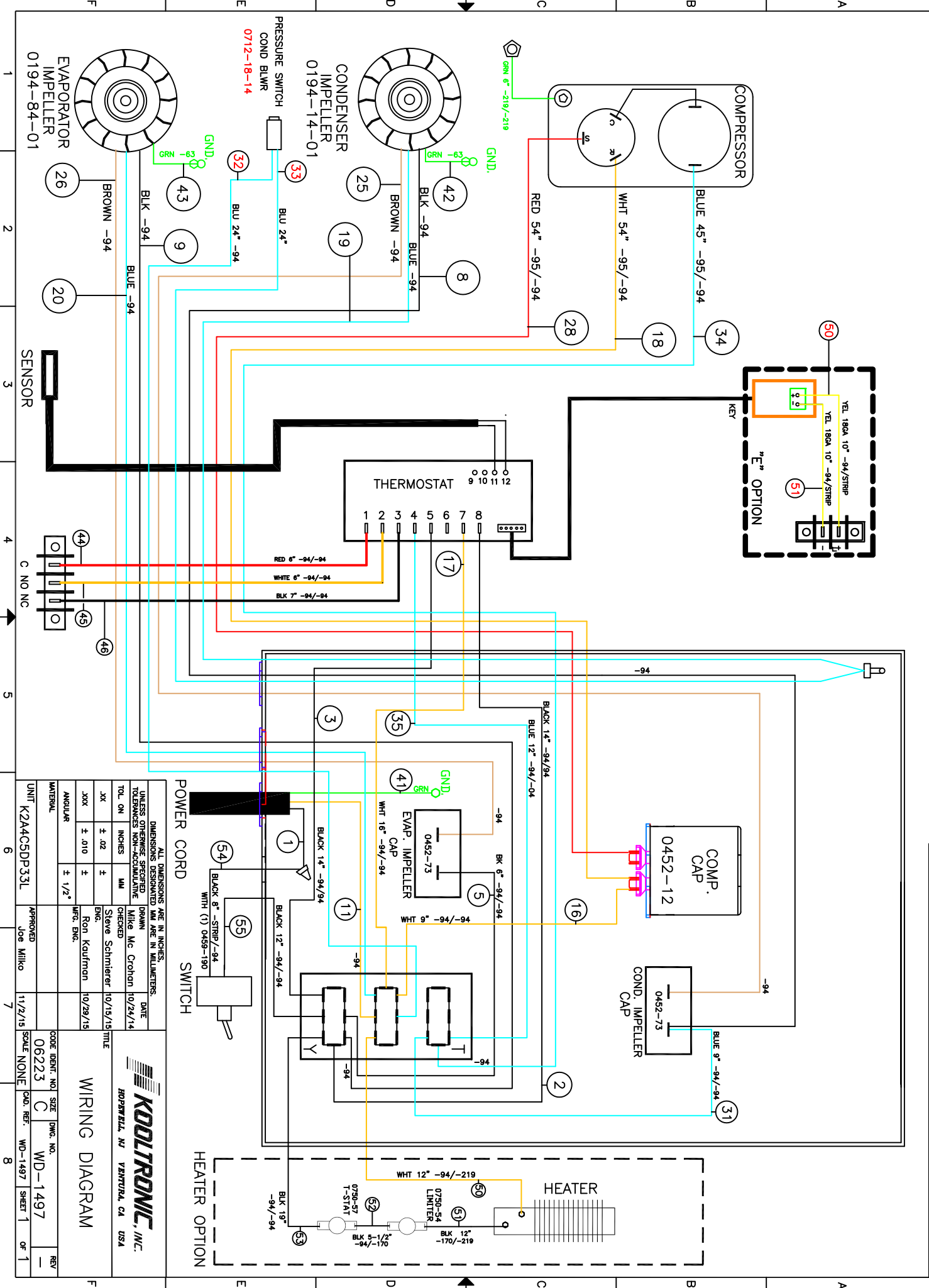


THIS DOCUMENT IS THE PROPERTY OF KOOLTRONIC, INC. AND CONTAINS PROPRIETARY AND CONFIDENTIAL INFORMATION WHICH MUST NOT BE DUPLICATED, USED OR DISCLOSED OTHER THAN AS EXPRESSLY AUTHORIZED BY KOOLTRONIC, INC.



REV	DATE	APPROVED	DESCRIPTION	REVISIONS
1	10/13/15	MEM/	NEW DRAWING RELEASE	EC 14/032

UNIT		K2A4CSDP33L		APPROVED		Joe Milko		11/2/15		SCALE		NONE	
MATERIAL				MFG. ENG.		Ron Koufron		10/29/15		CODE IDENT. NO.		06223	
ANGULAR		± 1/2°		MFG. ENG.		Steve Schmiener		10/15/15		DWG. NO.		WD-1497	
TOL. ON INCHES		± .02		CHECKED		Mike Mc Crohon		10/24/14		REV		-	
TOLERANCES NON-ACQUAINTANCE		±		DRAWN		Ron Koufron		10/24/14		SHEET		1 OF 1	
DIMENSIONS DESIGNATED MM ARE IN MILLIMETERS.				DATE						Kooltronic, Inc.		HOPEWELL, NJ VERMONT, CA USA	

WIRING DIAGRAM

ALL DIMENSIONS ARE IN INCHES. DIMENSIONS DESIGNATED MM ARE IN MILLIMETERS. UNLESS OTHERWISE SPECIFIED DRAWING TOLERANCES NON-ACQUAINTANCE

APPROVED: Joe Milko

DATE: 11/2/15

SCALE: NONE

SHEET: 1 OF 1