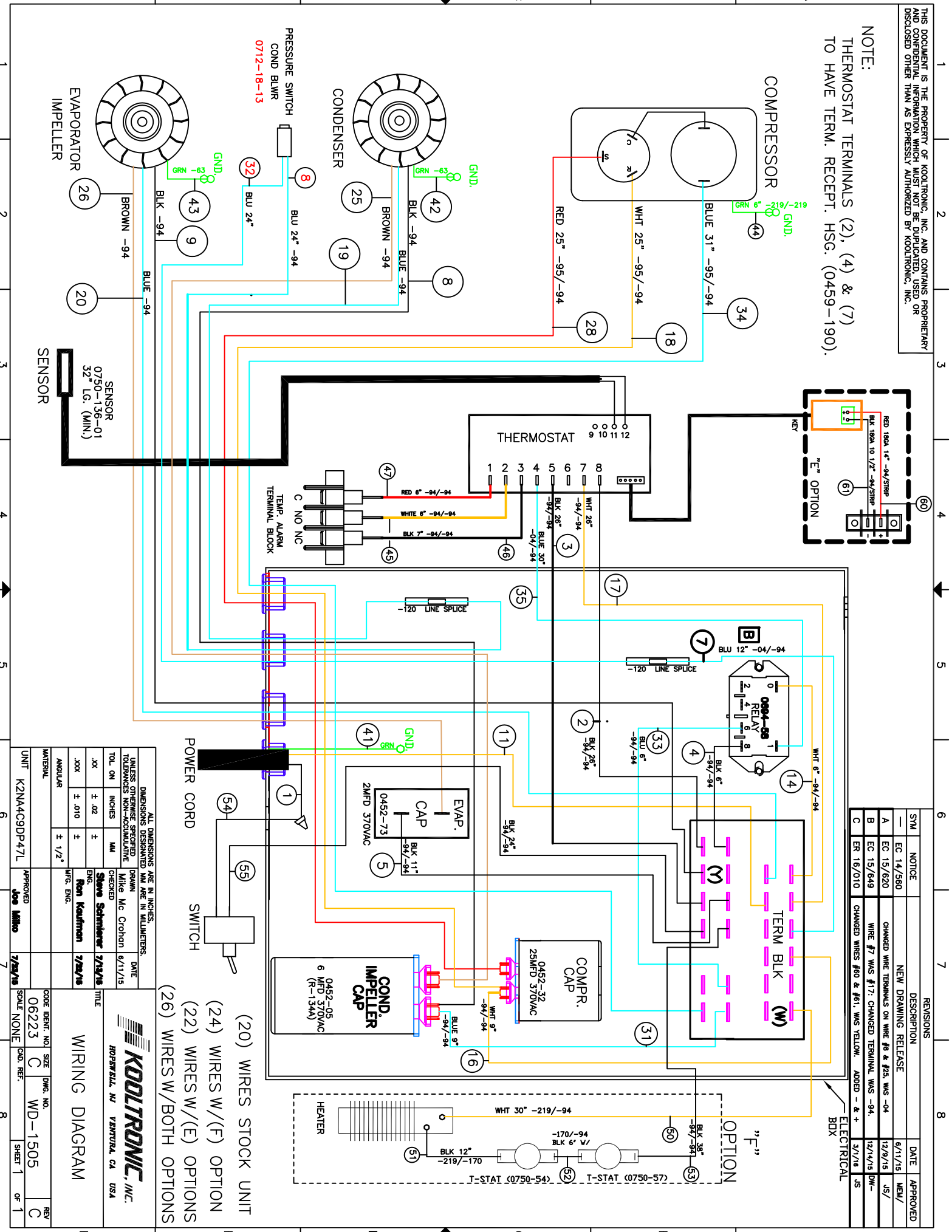


THIS DOCUMENT IS THE PROPERTY OF KOOLTRONIC, INC. AND CONTAINS PROPRIETARY AND CONFIDENTIAL INFORMATION WHICH MUST NOT BE DUPLICATED, USED OR DISCLOSED OTHER THAN AS EXPRESSLY AUTHORIZED BY KOOLTRONIC, INC.

NOTE:  
THERMOSTAT TERMINALS (2), (4) & (7)  
TO HAVE TERM. RECEIPT. HSG. (0459-190).



SWM	NOTICE	DESCRIPTION	DATE	APPROVED
-	EC 14/560	NEW DRAWING RELEASE	6/11/15	MEM/
A	EC 15/620	CHANGED WIRE TERMINALS ON WIRE #8 & #25. WAS -04	12/9/15	JIS/
B	EC 15/649	WIRE #7 WAS #17. CHANGED TERMINAL WAS -94.	12/14/15	DW-
C	ER 16/010	CHANGED WIRES #80 & #81. WAS YELLOW. ADDED - & +	3/7/16	JS

- (20) WIRES STOCK UNIT
- (24) WIRES W/(F) OPTION
- (22) WIRES W/(E) OPTIONS
- (26) WIRES W/BOTH OPTIONS

DIMENSIONS DESIGNATED MM ARE IN MILLIMETERS.		DIMENSIONS DESIGNATED INCH ARE IN INCHES.	
TOL. ON INCHES	MM	TOL. ON INCHES	MM
.XX	± .02	±	±
.X0X	± .010	±	±
.X0X	± .010	±	±

UNIT	K2N4AC9DP47L	APPROVED	Joe Milano	DATE	7/22/16
SCALE	NONE	CODE IDENT. NO.	06223	SIZE	C
		DWG. NO.	WD-1505	REV	C
		CAD. REF.		SHEET	1 OF 1

**KOOLTRONIC, INC.**  
ROPERVILLE, NJ VERMONTA, CA USA

WIRING DIAGRAM