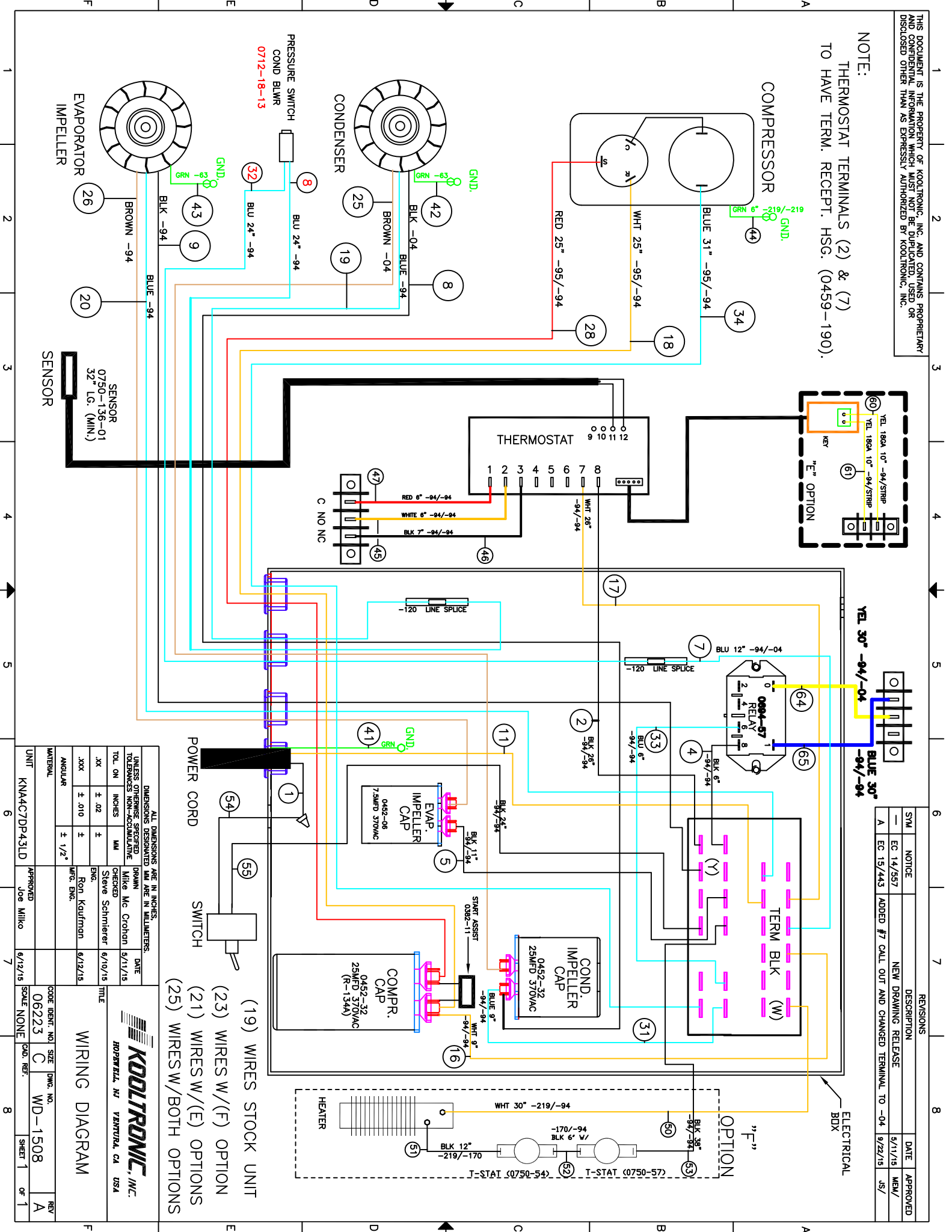


THIS DOCUMENT IS THE PROPERTY OF KOOLTRONIC, INC. AND CONTAINS PROPRIETARY AND CONFIDENTIAL INFORMATION WHICH MUST NOT BE DUPLICATED, USED OR DISCLOSED OTHER THAN AS EXPRESSLY AUTHORIZED BY KOOLTRONIC, INC.

NOTE:  
THERMOSTAT TERMINALS (2) & (7)  
TO HAVE TERM. RECEPT. HSG. (0459-190).



REVISIONS		DATE	APPROVED
SWM	NOTICE		
—	EC 14/5/57	5/11/15	MEM/
A	EC 15/4/3	9/22/15	JS/

- (19) WIRES STOCK UNIT
- (23) WIRES W/(F) OPTION
- (21) WIRES W/(E) OPTIONS
- (25) WIRES W/BOTH OPTIONS

**KOOLTRONIC, INC.**  
ROPERBEL, NJ VERMONTA, CA USA

**WIRING DIAGRAM**

UNIT	APPROVED	DATE	SCALE	SHEET	OF
KNA4C7DP43LD	Joe Milko	6/12/15	NONE	1	1

CODE IDENT. NO.	SIZE	DWG. NO.	REV
06223	C	WD-1508	A

DIMENSIONS ARE IN INCHES. UNLESS OTHERWISE SPECIFIED TOLERANCES NON-ACCUMULATIVE		DATE	
TOL. ON INCHES	MM	DRAWN	9/11/15
XX ± .02	±	CHECKED	6/10/15
.XXX ± .010	±	ENG.	6/12/15
ANGULAR ± 1/2°	±	WFO. ENG.	