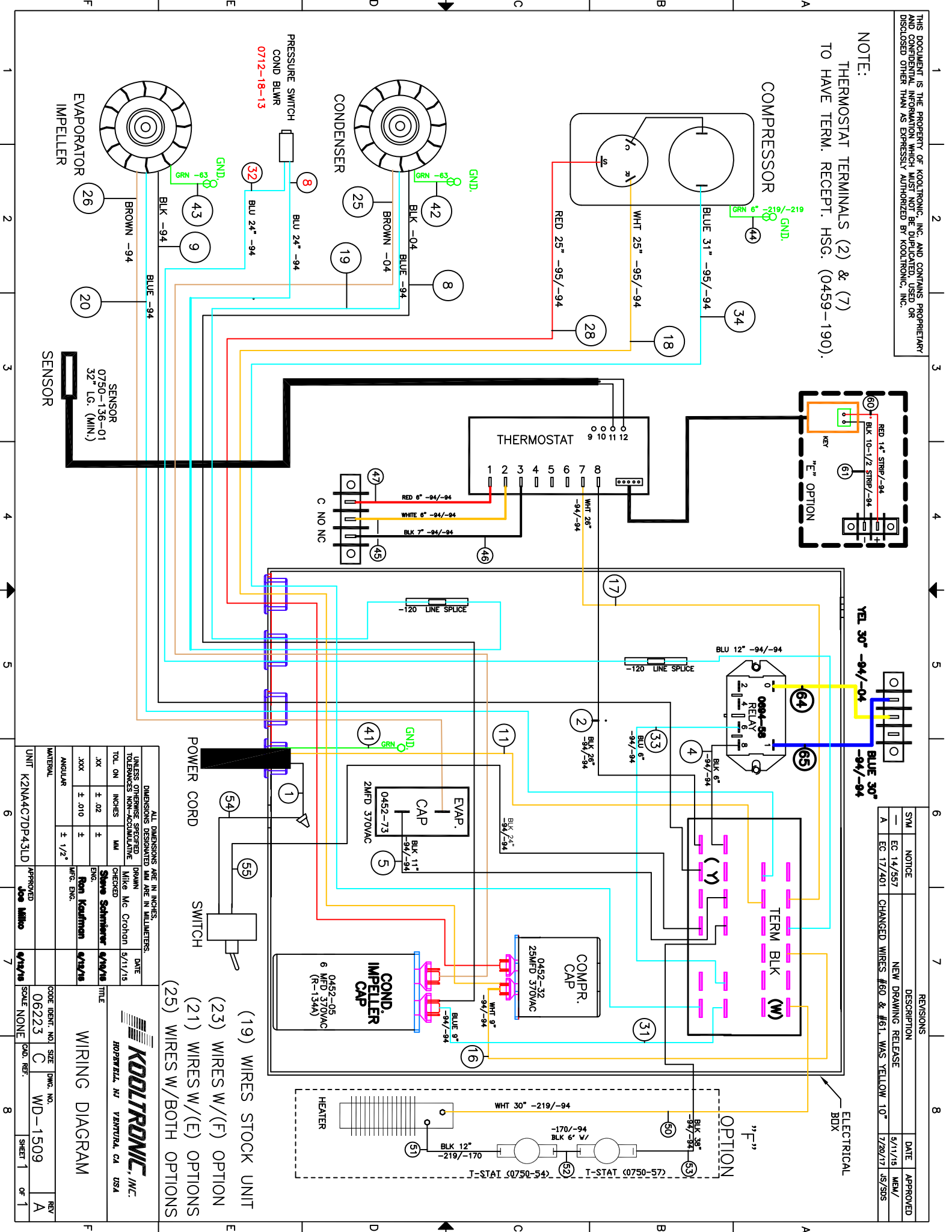


THIS DOCUMENT IS THE PROPERTY OF KOOLTRONIC, INC. AND CONTAINS PROPRIETARY AND CONFIDENTIAL INFORMATION WHICH MUST NOT BE DUPLICATED, USED OR DISCLOSED OTHER THAN AS EXPRESSLY AUTHORIZED BY KOOLTRONIC, INC.

NOTE:
THERMOSTAT TERMINALS (2) & (7)
TO HAVE TERM. RECEIPT. HSG. (0459-190).



SWM	NOTICE	DESCRIPTION	DATE	APPROVED
—	EC 14/557	NEW DRAWING RELEASE	5/11/15	MM/
A	EC 17/401	CHANGED WIRES #60 & #61, WAS YELLOW 10"	7/29/17	JS/SBS

- (19) WIRES STOCK UNIT
- (23) WIRES W/(F) OPTION
- (21) WIRES W/(E) OPTIONS
- (25) WIRES W/BOTH OPTIONS

<p>ALL DIMENSIONS ARE IN INCHES. DIMENSIONS DESIGNATED MM ARE IN MILLIMETERS. UNLESS OTHERWISE SPECIFIED TOLERANCES NON-ACCUMULATIVE</p>		<p>DATE 9/11/15</p>
<p>TOL. ON INCHES XX ± .02 XXX ± .010 ANGULAR ± 1/2°</p>	<p>DRAWN Mike Mc Crohon</p>	<p>DATE 9/11/15</p>
<p>CHECKED Ron Kaufman</p>	<p>ENG. Ron Kaufman</p>	<p>DATE 6/12/16</p>
<p>APPROVED Joe Milano</p>	<p>DATE 6/12/16</p>	<p>SCALE NONE</p>
<p>UNIT K2NA4C7DP43LD</p>	<p>CODE IDENT. NO. 06223</p>	<p>SIZE C</p>
<p>APPROVED Joe Milano</p>	<p>DWG. NO. WD-1509</p>	<p>REV A</p>
<p>DATE 6/12/16</p>	<p>SCALE NONE</p>	<p>SHEET 1 OF 1</p>

KOOLTRONIC, INC.
ROPERBEL, NJ VERMONTA, CA USA

WIRING DIAGRAM