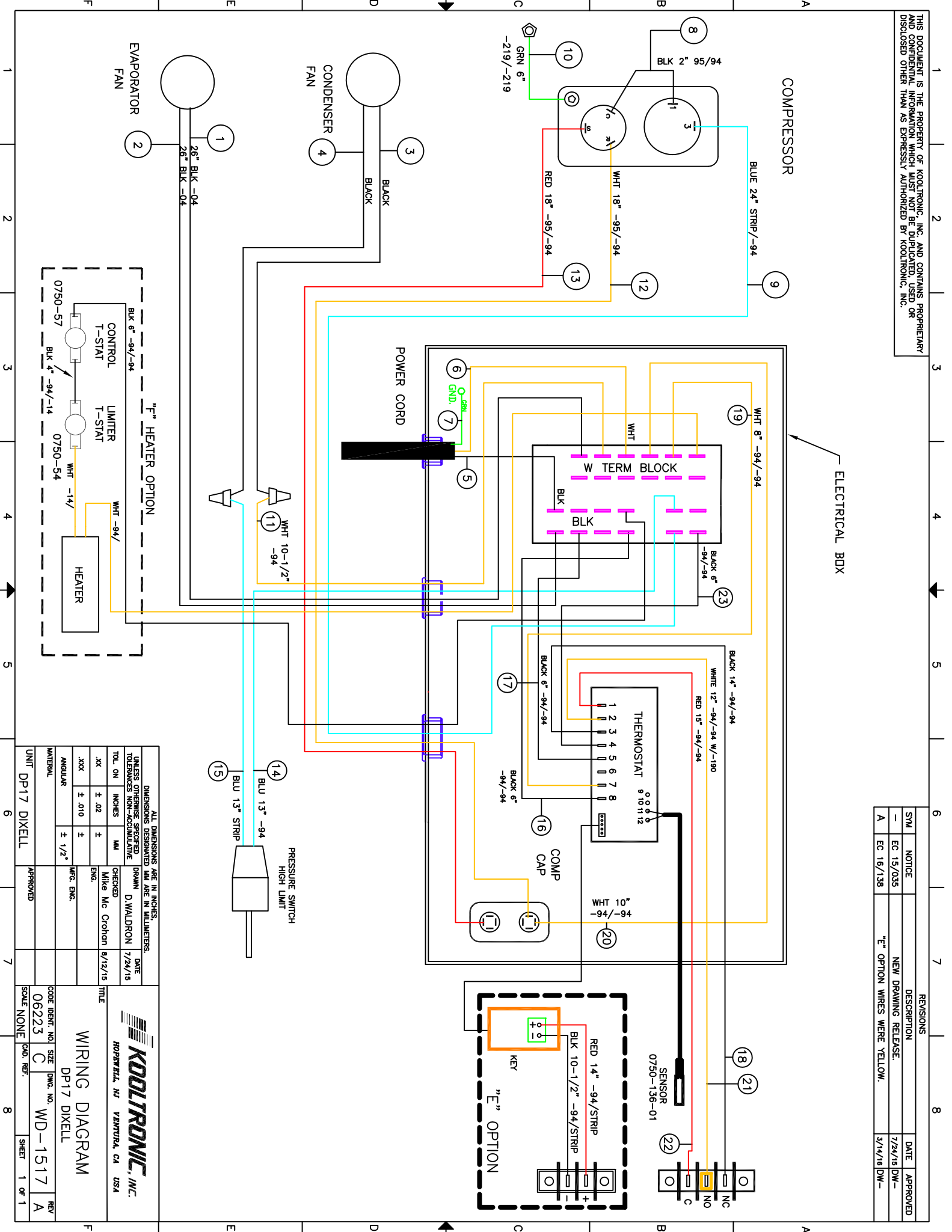


THIS DOCUMENT IS THE PROPERTY OF KOOLTRONIC, INC. AND CONTAINS PROPRIETARY AND CONFIDENTIAL INFORMATION WHICH MUST NOT BE DUPLICATED, USED OR DISCLOSED OTHER THAN AS EXPRESSLY AUTHORIZED BY KOOLTRONIC, INC.



REVISIONS		DESCRIPTION	DATE	APPROVED
1	NEW	NEW DRAWING RELEASE.	7/24/15	DW-
2	EC 15/035			
3	EC 16/138	"E" OPTION WIRES WERE YELLOW.	3/14/18	DW-

UNIT		DP17 DIXELL		APPROVED	
MATERIAL		ANGULAR		± 1/2"	
TOL. ON		INCHES		± .02	
TOLERANCES NON-ACCUMULATIVE		MM		±	
CHECKED		Mike Mc Crohan		6/12/15	
ENGINEER		MFG. ENG.			
DRAWN		D. WALDRON		7/24/15	
DATE		DATE			
DIMENSIONS ARE IN INCHES.		DIMENSIONS ARE IN MILLIMETERS.			
UNLESS OTHERWISE SPECIFIED		UNLESS OTHERWISE SPECIFIED			
TOLERANCES DESIGNATED		TOLERANCES DESIGNATED			
DRAWN		DRAWN			

KOOLTRONIC, INC.
 HOPWELL, NJ VENTURA, CA USA

WIRING DIAGRAM
 DP17 DIXELL

CODE IDENT. NO. 06223
 SIZE C
 DWG. NO. WD-1517
 SCALE NONE
 SHEET 1 OF 1