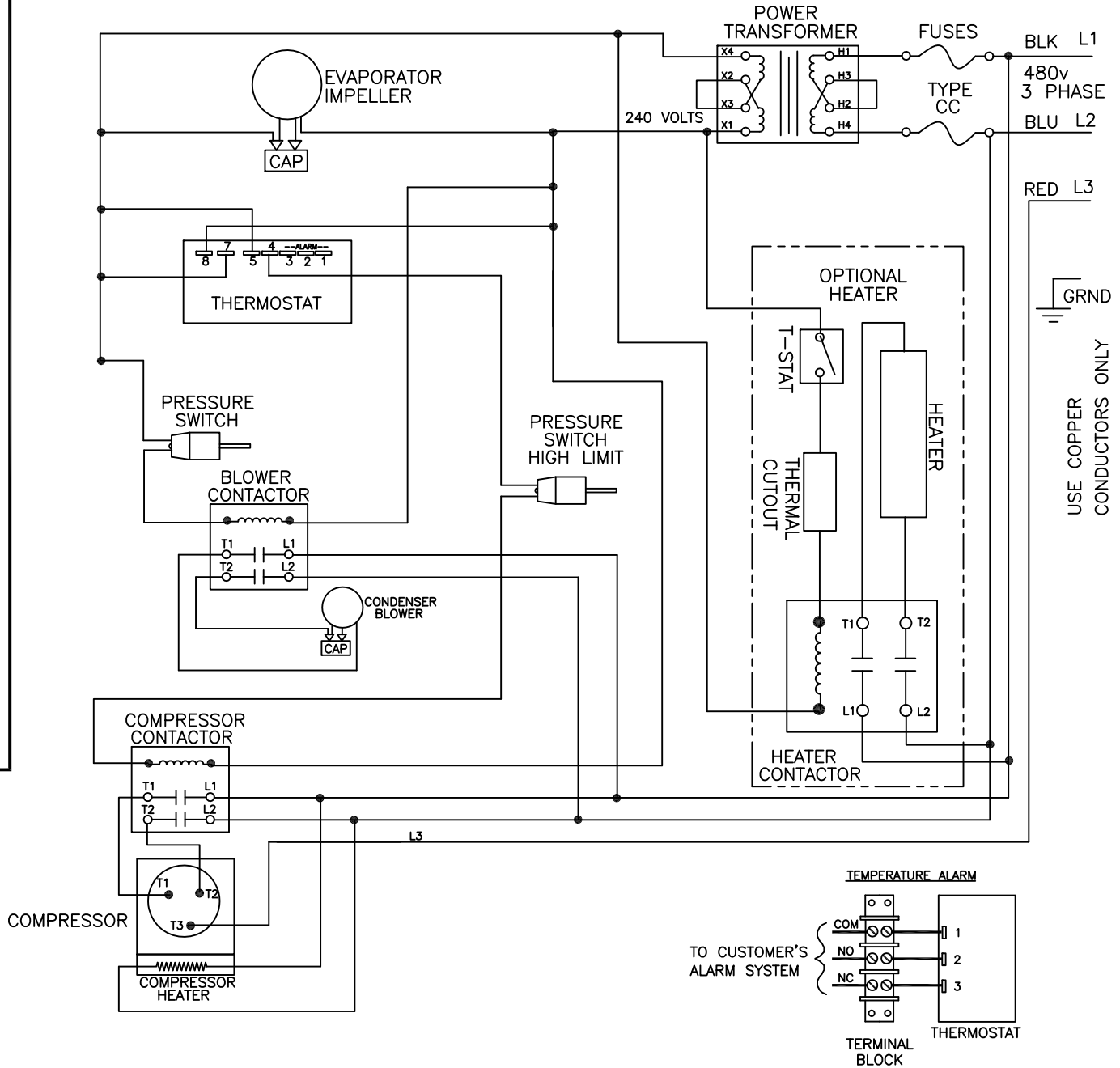


THIS DOCUMENT IS THE PROPERTY OF KOOLTRONIC, INC. AND CONTAINS PROPRIETARY AND CONFIDENTIAL INFORMATION WHICH MUST NOT BE DUPLICATED, USED OR DISCLOSED TO OTHERS, EXCEPT AS EXPRESSLY AUTHORIZED IN WRITING BY KOOLTRONIC, INC.

REVISIONS

| SYM | NOTICE | DESCRIPTION | DATE | APPROVED |
|-----|-----------|------------------------------|----------|----------|
| - | EC 15/033 | NEW DRAWING RELEASE | 7/21/15 | JS |
| A | EC 15/531 | ADDED TO UNITS DP50L & DP53L | 10/29/15 | JS |



ALL DIMENSIONS ARE IN INCHES,
DIMENSIONS DESIGNATED MM ARE IN MILLIMETERS.

| UNLESS OTHERWISE SPECIFIED TOLERANCES NON-ACCUMULATIVE | | |
|--|--------|--------|
| TOL. ON | INCHES | MM |
| .XX | ± .02 | ± |
| .XXX | ± .010 | ± |
| ANGULAR | | ± 1/2° |

| DRAWN | DATE |
|---------------------------|---------|
| JERRY STEDNICK | 7/21/15 |
| CHECKED Mike Mc Crohan | 7/27/15 |
| ENG. RON KAUFMAN | 9/8/15 |
| MFG. ENG. | |



WIRING DIAGRAM

| MATERIAL | APPROVED | DATE |
|-----------------------------------|-----------|--------|
| UNITS 460V DP60L, DP53L, DP50L | Joe Milko | 9/8/15 |

| CODE IDENT. NO. | SIZE | DWG. NO. | REV |
|-----------------|-----------|--------------|-----|
| 06223 | A | WD-1524 | A |
| SCALE N/A | CAD. REF. | SHEET 1 OF 1 | |