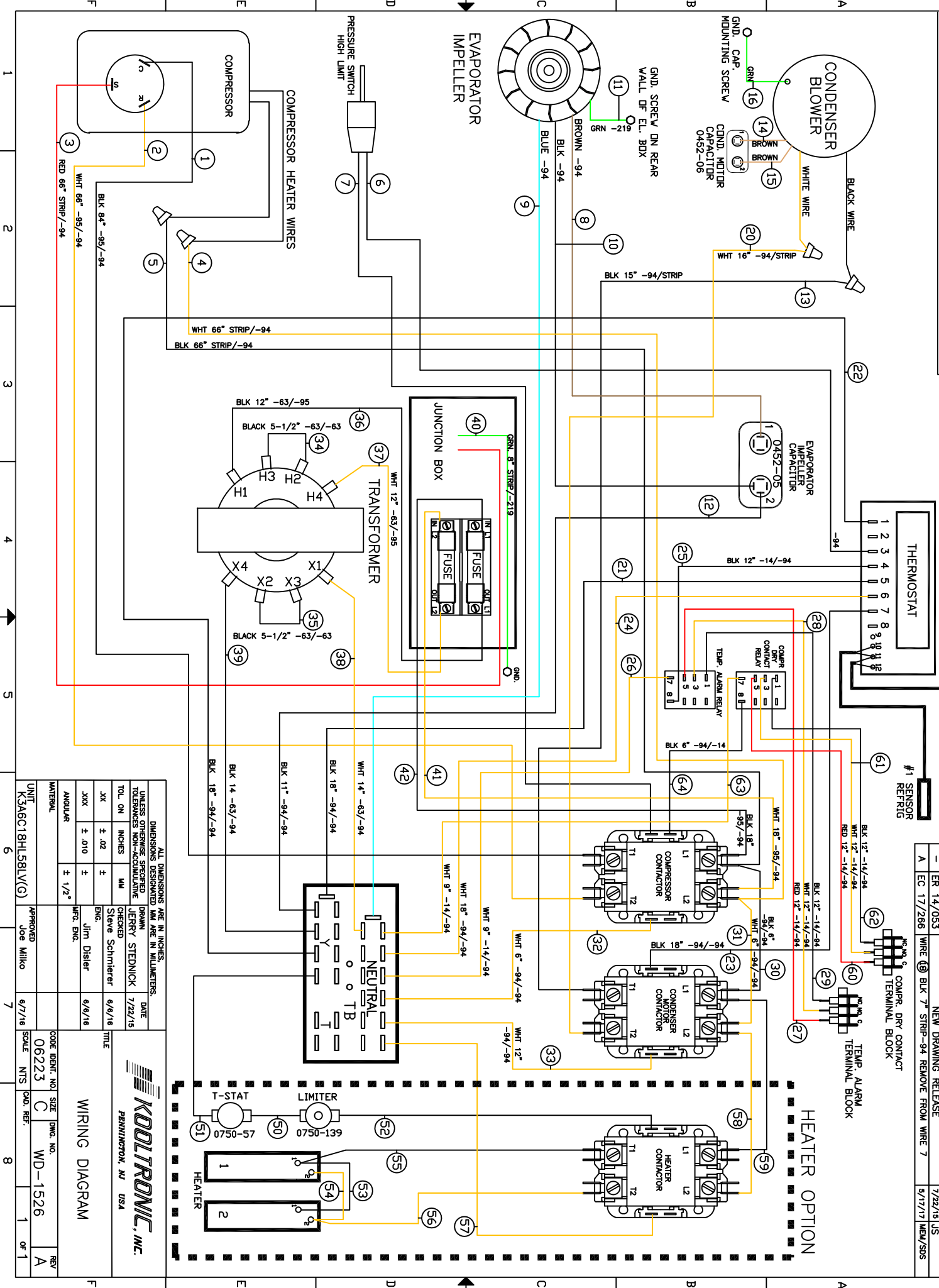


THIS DOCUMENT IS THE PROPERTY OF KOOLTRONIC, INC. AND CONTAINS PROPRIETARY AND CONFIDENTIAL INFORMATION WHICH MUST NOT BE DUPLICATED, USED OR DISCLOSED OTHER THAN AS EXPRESSLY AUTHORIZED BY KOOLTRONIC, INC.

NOTE: #4 & #6 T-STAT TERMINALS GET 0459-190 TERM. HOUSING COVERS



REV	DESCRIPTION	DATE	APPROVED
1	NEW DRAWING RELEASE	7/22/15	J.S.
2	REMOVE FROM WIRE 7	5/17/17	MEM/SDS

UNIT	APPROVED	DATE	SCALE	REV
K3A6C18HL58LV(G)	Joe Milko	6/7/16	NIS	A

DIMENSIONS DESIGNATED MM ARE IN MILLIMETERS.	DATE
UNLESS OTHERWISE SPECIFIED DRAWN BY JERRY STEDNICK	7/22/15
TOLERANCES NON-ACCUMULATIVE CHECKED BY Steve Schmittner	6/6/16
XX ± .02	ENG. Jim Disler
XOX ± .010	MFG. ENG.
ANGULAR ± 1/2°	

CODE IDENT. NO.	SIZE	DWG. NO.	REV
06223	C	WD-1526	A

KOOLTRONIC, INC.
 PERMINNTOX, NJ USA

WIRING DIAGRAM