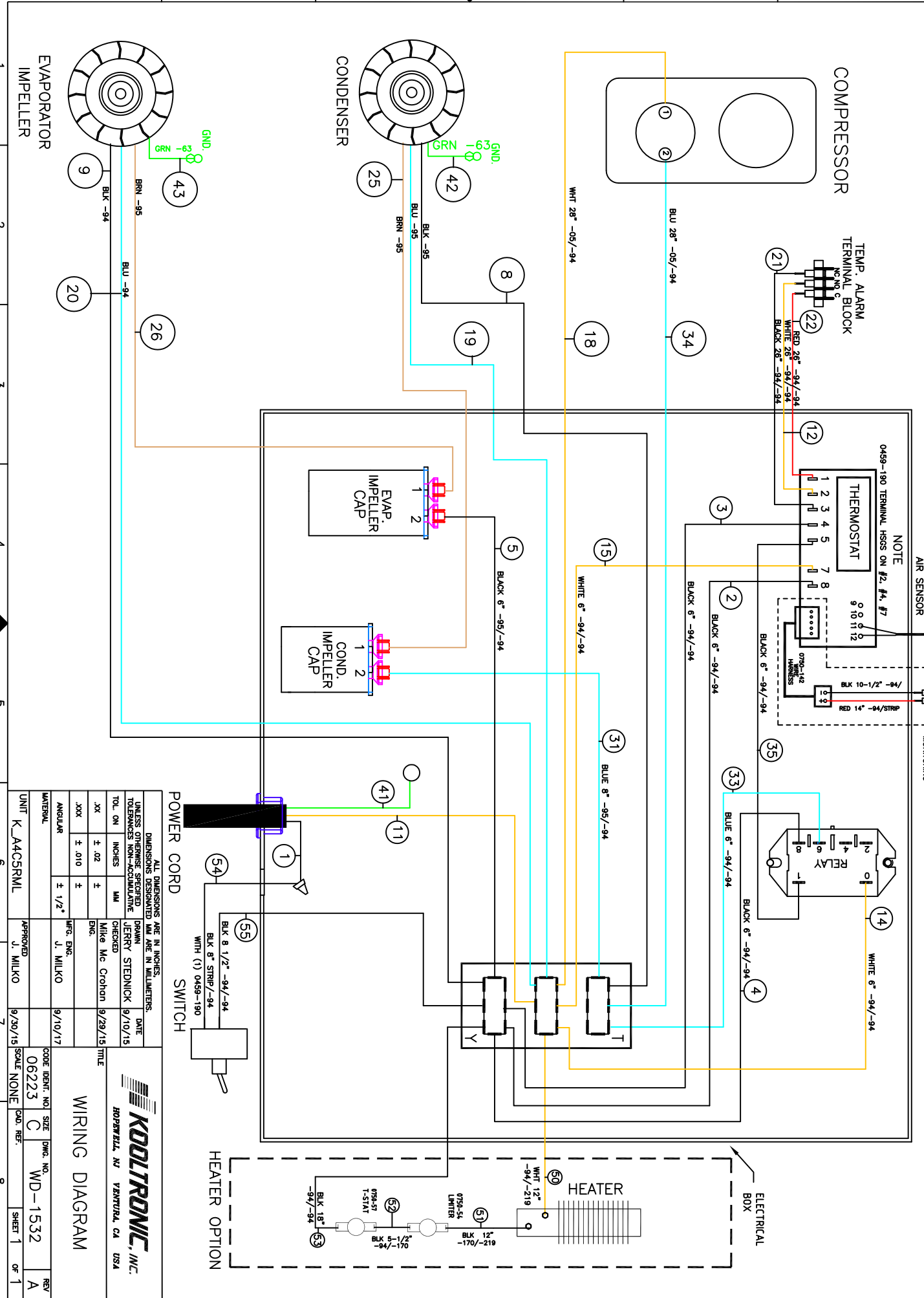


THIS DOCUMENT IS THE PROPERTY OF KOOLTRONIC, INC. AND CONTAINS PROPRIETARY AND CONFIDENTIAL INFORMATION WHICH MUST NOT BE DUPLICATED, USED OR DISCLOSED OTHER THAN AS EXPRESSLY AUTHORIZED BY KOOLTRONIC, INC.

REV	DATE	APPROVED	DESCRIPTION
1	9/10/15	JS	NEW DRAWING RELEASE.
2	9/14/16	DW-	"E" OPTION WIRES DEFINED.



**POWER CORD**

**SWITCH**

**HEATER OPTION**

ALL DIMENSIONS ARE IN INCHES.  
DIMENSIONS DESIGNATED MM ARE IN MILLIMETERS.  
UNLESS OTHERWISE SPECIFIED  
TOLERANCES: FRACTIONAL DECIMALS  
TOLERANCES: NON-FRACTIONAL  
TOL. ON INCHES MM  
XX ± .02 ±  
XXX ± .010 ±  
ANGULAR ± 1/2° ±  
MFG. ENG. J. MILKO  
9/10/17  
DATE 9/10/15  
DRAWN JERRY STEDNICK  
CHECKED Mike Mc Crohan  
9/29/15  
DATE 9/10/15  
DRAWN J. MILKO  
CHECKED J. MILKO  
9/30/15  
DATE 9/10/17  
MFG. ENG. J. MILKO  
DATE 9/10/17



ROSEMONT, NJ VENTNOR, CA USA

**WIRING DIAGRAM**

UNIT	CODE	DEPT. NO.	NO.	SIZE	DRWG. NO.	REV
K_AA05RML	06223	C	WD-1532	A		

SYM	NOTICE	DESCRIPTION	DATE	APPROVED
-	EC 15/245	NEW DRAWING RELEASE.	9/10/15	JS
A	EC 16/138	"E" OPTION WIRES DEFINED.	9/14/16	DW-