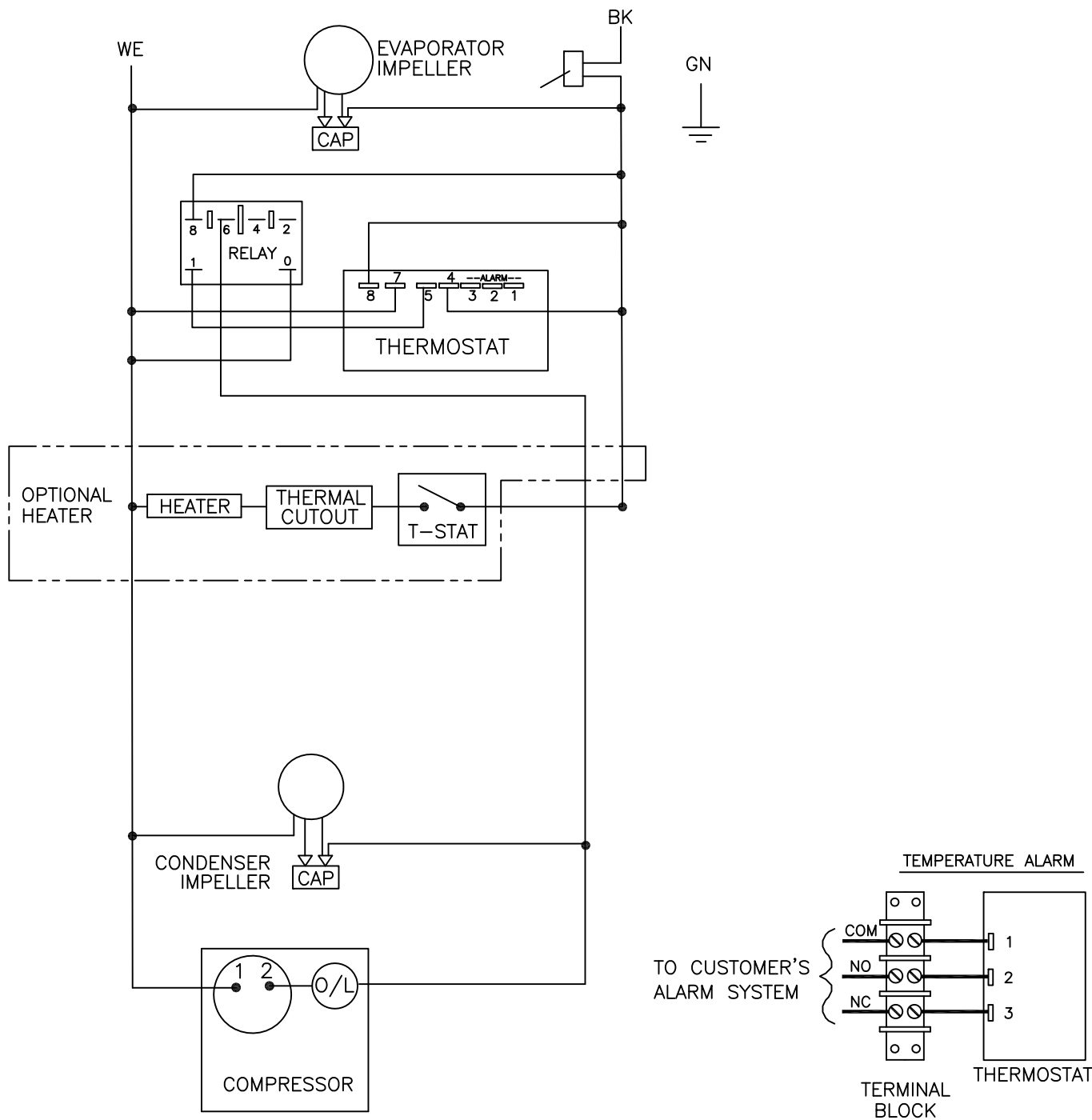


THIS DOCUMENT IS THE PROPERTY OF KOOLTRONIC, INC. AND CONTAINS PROPRIETARY AND CONFIDENTIAL INFORMATION WHICH MUST NOT BE DUPLICATED, USED OR DISCLOSED TO OTHERS, EXCEPT AS EXPRESSLY AUTHORIZED IN WRITING BY KOOLTRONIC, INC.

REVISIONS

SYM	NOTICE	DESCRIPTION	DATE	APPROVED
-	EC 15/245	NEW DRAWING RELEASE.	9/17/15	JS



ALL DIMENSIONS ARE IN INCHES,
DIMENSIONS DESIGNATED MM ARE IN MILLIMETERS.

UNLESS OTHERWISE SPECIFIED
TOLERANCES NON-ACCUMULATIVE

TOL. ON	INCHES	MM
.XX	± .02	±
.XXX	± .010	±
ANGULAR		± 1/2°

DRAWN	DATE
JERRY STEDNICK	9/17/15
CHECKED Mike Mc Crohan	9/29/15
ENG. Joe Milko	9/30/15
MFG. ENG.	



WIRING DIAGRAM
w/ Digital Thermostat
K_A4C5RML

MATERIAL	APPROVED	DATE
K_A4C5RML	Joe Milko	9/30/15

CODE IDENT. NO.	SIZE	DWG. NO.	REV
06223	A	WD-1533	-
SCALE	CAD. REF.	SHEET	1 OF 1
NONE			