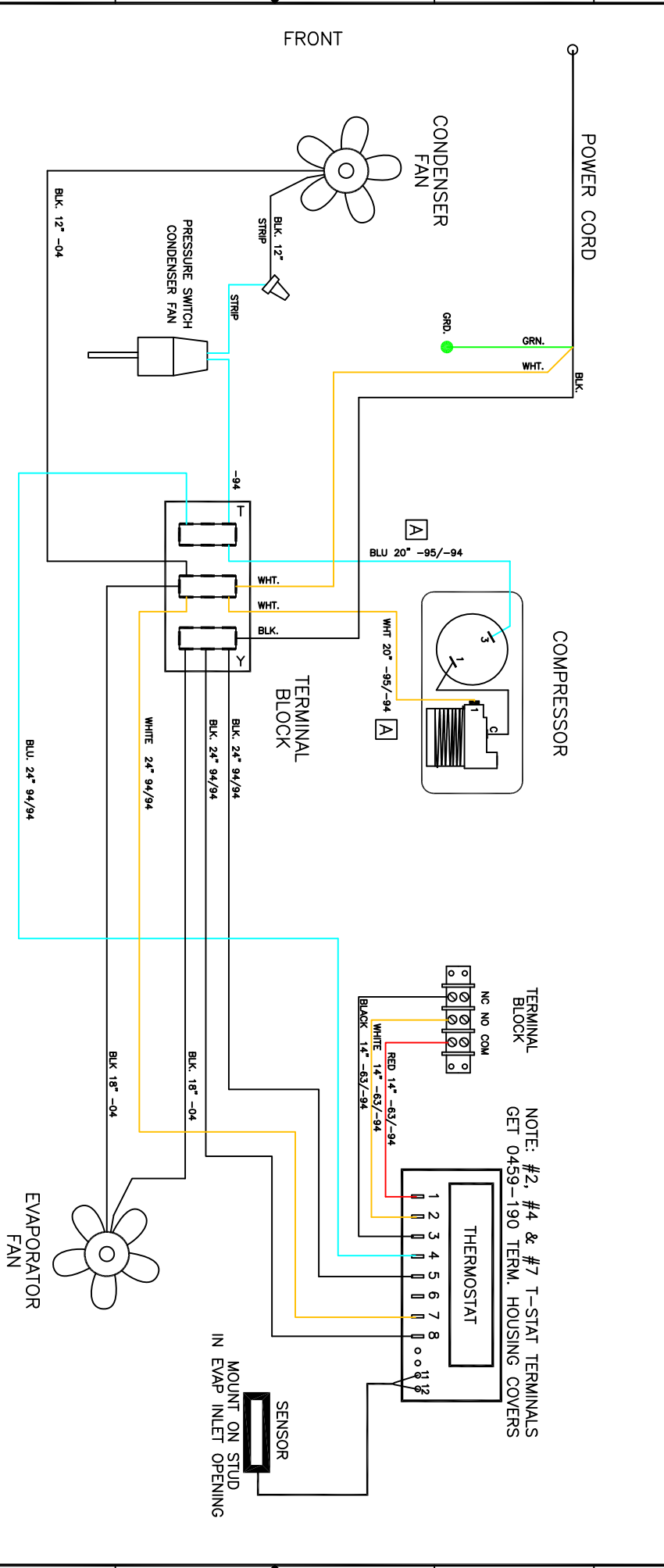


THIS DOCUMENT IS THE PROPERTY OF KOOLTRONIC, INC. AND CONTAINS PROPRIETARY AND CONFIDENTIAL INFORMATION WHICH MUST NOT BE DUPLICATED, USED OR DISCLOSED TO OTHERS, EXCEPT AS EXPRESSLY AUTHORIZED IN WRITING BY KOOLTRONIC, INC.

REVISIONS				
SYM	NOTICE	DESCRIPTION	DATE	APPROVED
-	EC 18/751	NEW DRAWING RELEASE	1/11/17	J5/SDS
A	EC 18/097	REPLACED (2) WIRES.	3/9/18	DW-SDS



NOTE: #2, #4 & #7 T-STAT TERMINALS GET 0459-190 TERM. HOUSING COVERS

(9 WIRES)



WIRING DIAGRAM
AIR CONDITIONER

DIMENSIONS DESIGNED IN MILLIMETERS			
TOL. ON	INCHES	MM	DATE
XXX	± .02	±	1/28/17
XXX	± .010	±	7/21/17
ANGULAR	± 1/2°		

DESIGNED BY	DATE	APPROVED	DATE
DRAWN BY	1/11/17	J5/SDS	1/11/17
CHECKED BY	1/28/17	DW-SDS	1/28/17
ENG. BY	7/21/17	J5/SDS	7/21/17
MFG. ENG. BY			

CODE	ISSUE NO.	SIZE	DWG. NO.	REV.
06223	B	WD-1608	WD-1608	A