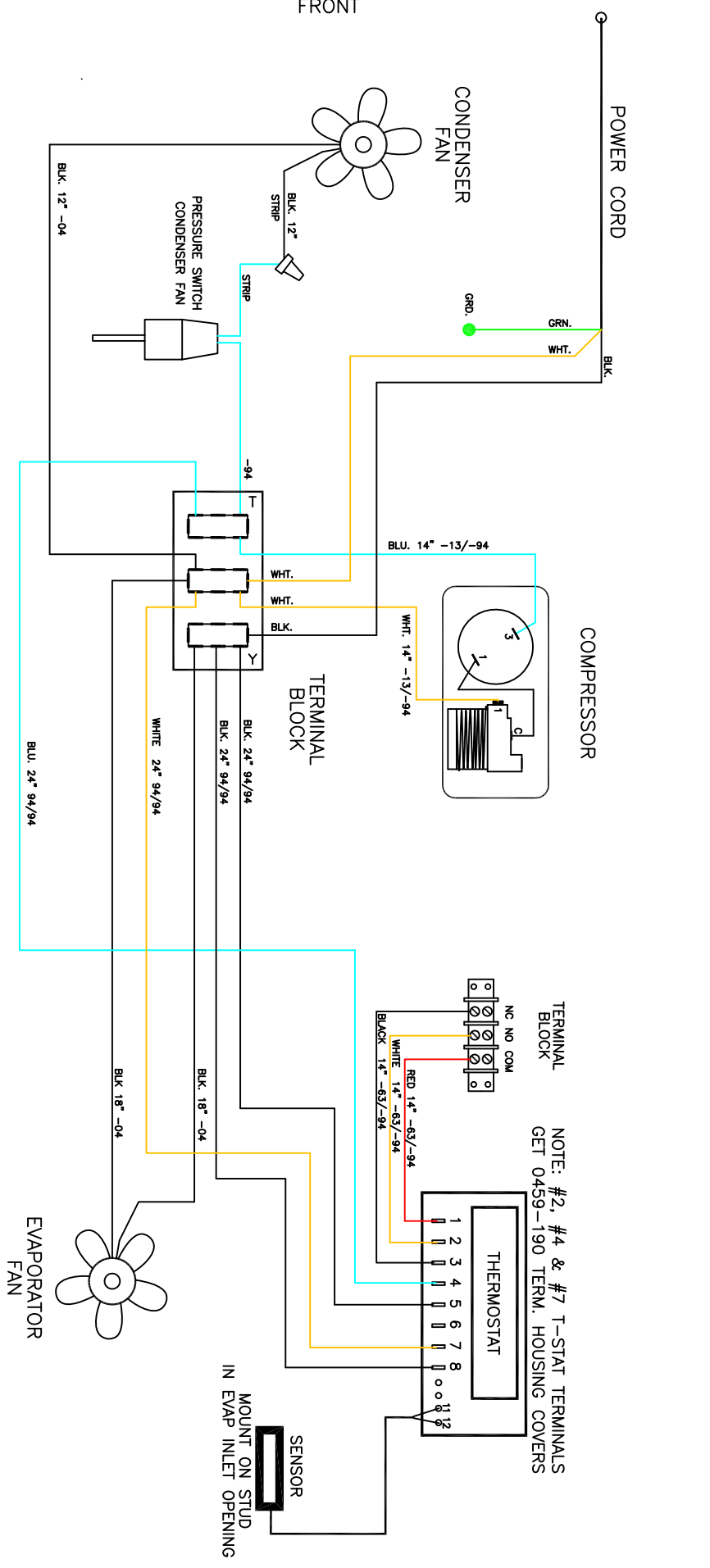
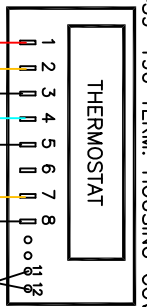
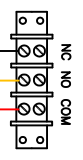


THIS DOCUMENT IS THE PROPERTY OF KOOLTRONIC, INC. AND CONTAINS PROPRIETARY AND CONFIDENTIAL INFORMATION WHICH MUST NOT BE DUPLICATED, USED OR DISCLOSED TO OTHERS, EXCEPT AS EXPRESSLY AUTHORIZED IN WRITING BY KOOLTRONIC, INC.



REVISIONS			
SYM	NOTICE	DESCRIPTION	DATE
-	EC 16/7/31	NEW DRAWING RELEASE	1/11/17 JS/SDS

NOTE: #2, #4 & #7 T-STAT TERMINALS GET 0459-190 TERM. HOUSING COVERS



DIMENSIONS DESIGNED MM ARE IN MILLIMETERS.			
TOLERANCES UNLESS SPECIFIED	DRAWN	DATE	
TOL. ON INCHES	JERRY STEDNICK	1/11/17	
TOL. ON MILLIMETERS			
CHECKED	Steve Schmitter	1/29/17	
ENG.	Sapher Sobel	7/21/17	
MFG. ENG.			

K_A4C2_SHSR		APPROVED	9/20/17
MATERIAL		Joe M/Bruce K	
TITLE		WIRING DIAGRAM	
AIR CONDITIONER			
CODE	ISSUE NO.	SIZE	DWG. NO.
06223	B		WD-1608
SCALE	CAD. REF.	WD-1608	SHEET 1 OF 1



(9 WIRES)

