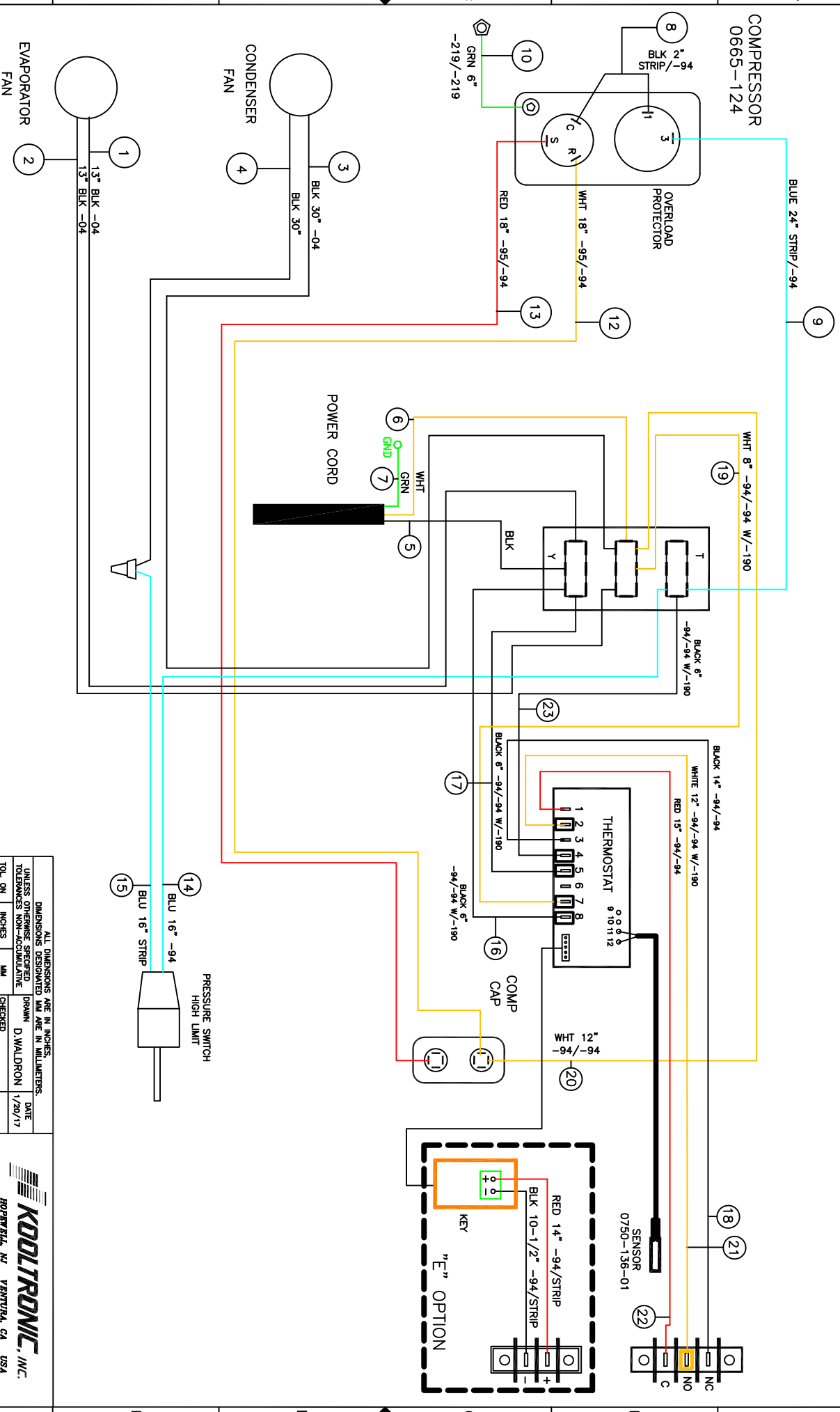


THIS DOCUMENT IS THE PROPERTY OF KOOLTRONIC, INC. AND CONTAINS PROPRIETARY AND CONFIDENTIAL INFORMATION WHICH MUST NOT BE DUPLICATED, USED OR DISCLOSED OTHER THAN AS EXPRESSLY AUTHORIZED BY KOOLTRONIC, INC.

SWM	NOTICE	REVISIONS	DESCRIPTION	DATE	APPROVED
-	EC 16/694		NEW DRAWING RELEASE.	1/20/17	DW-SDS
A	EC 17/259		INCREASED LENGTH ON WIRES #14, #15 & #20	5/22/17	JS
B	EC 17/415		ADDED 0459-190 TERMINAL INSULATORS TO WIRES 16 & 17	7/19/17	JS/SDS



DIMENSIONS ARE IN INCHES.		DIMENSIONS DESIGNATED MM ARE IN MILLIMETERS.	
UNLESS OTHERWISE SPECIFIED			
TOLERANCES NON-ACCUMULATIVE			
TOL. ON	INCHES	MM	DATE
XX	± .02	±	
XXX	± .010	±	
ANGULAR	± 1/2°		

UNIT	APPROVED	DATE	SCALE
KA4C1.0MML	Joe Milko	2/16/17	NONE

CODE IDENT. NO.	SIZE	DWG. NO.	REV
06223	C	WD-1611	B

TITLE	MATERIAL	ENG.	CHECKED	DRAWN	DATE
WIRING DIAGRAM		Ron Kaufman	Steve Schmieler	D.WALDRON	1/20/17
MML DIXELL		MFG. ENG.			2/15/17

Kooltronic, Inc.	
HOPWELL, NJ VENTURA, CA USA	