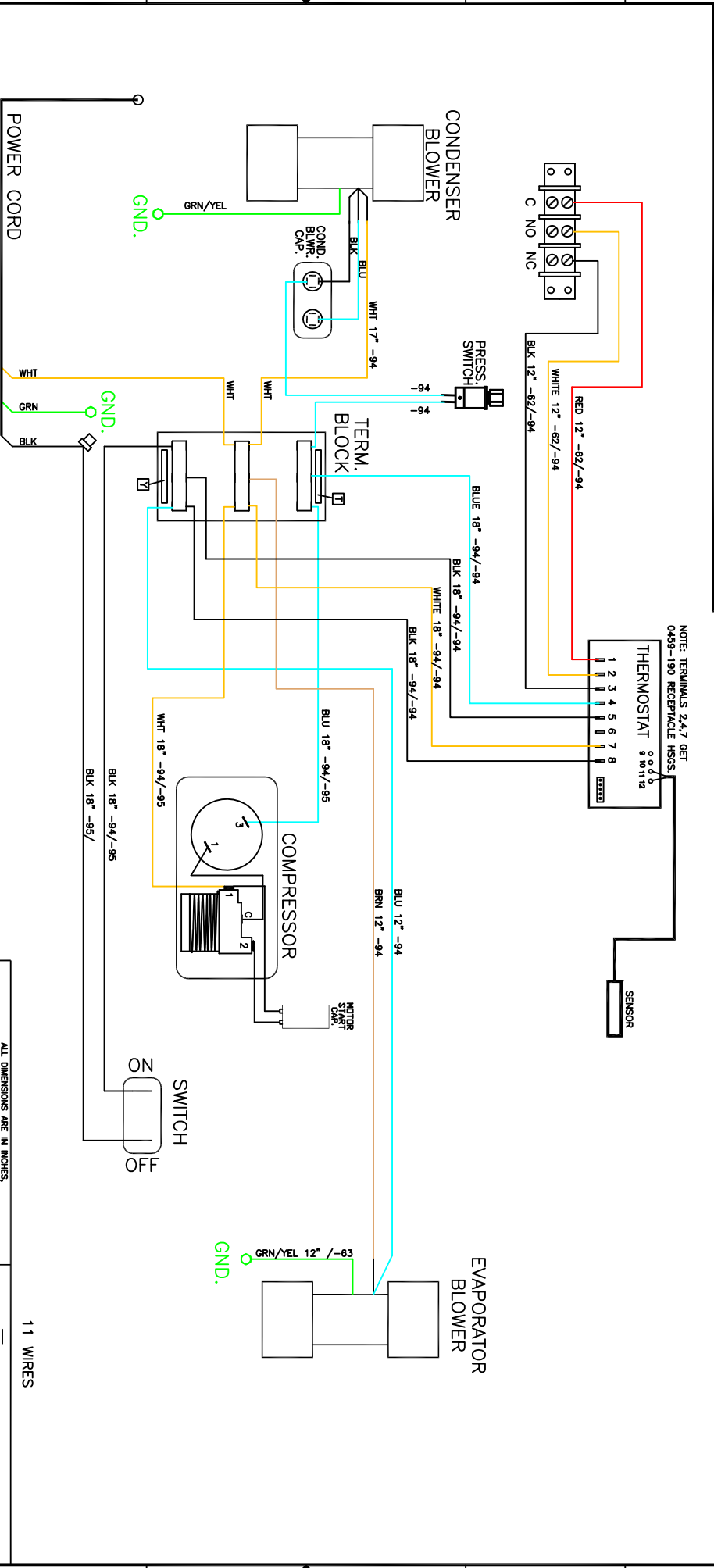


THIS DOCUMENT IS THE PROPERTY OF KOOLTRONIC, INC. AND CONTAINS PROPRIETARY AND CONFIDENTIAL INFORMATION WHICH MUST NOT BE DUPLICATED, USED OR DISCLOSED TO OTHERS, EXCEPT AS EXPRESSLY AUTHORIZED IN WRITING BY KOOLTRONIC, INC.



NOTE: TERMINALS 2,4,7 GET 0A95-190 RECEPTACLE HISS.

REVISIONS			
SYM	NOTICE	DESCRIPTION	DATE
-	EC 17/370	NEW DRAWING RELEASE	8/18/17 JS/SJS

11 WIRES



WIRING DIAGRAM  
AIR CONDITIONER

DIMENSIONS DESIGNED MM ARE IN MILLIMETERS.		DATE	
TOL. ON INCHES	MM	DRAWN BY	DATE
± .02	±	JERRY STEDNICK	8/18/17
± .010	±	CHECKED	
ANGULAR	± 1/2°	Steve Schmeier	9/7/17
MATERIAL		ENG.	SEPEHR S.
		MFG. ENG.	9/13/17
UNIT	K-A4C3.5H9R /H10R	APPROVED	
		Joe Wilko	9/20/17
CODE	06223	SIZE	B
DRG. NO.	WD-1624	REV.	-
CAD. REF.		SHEET	1 OF 1