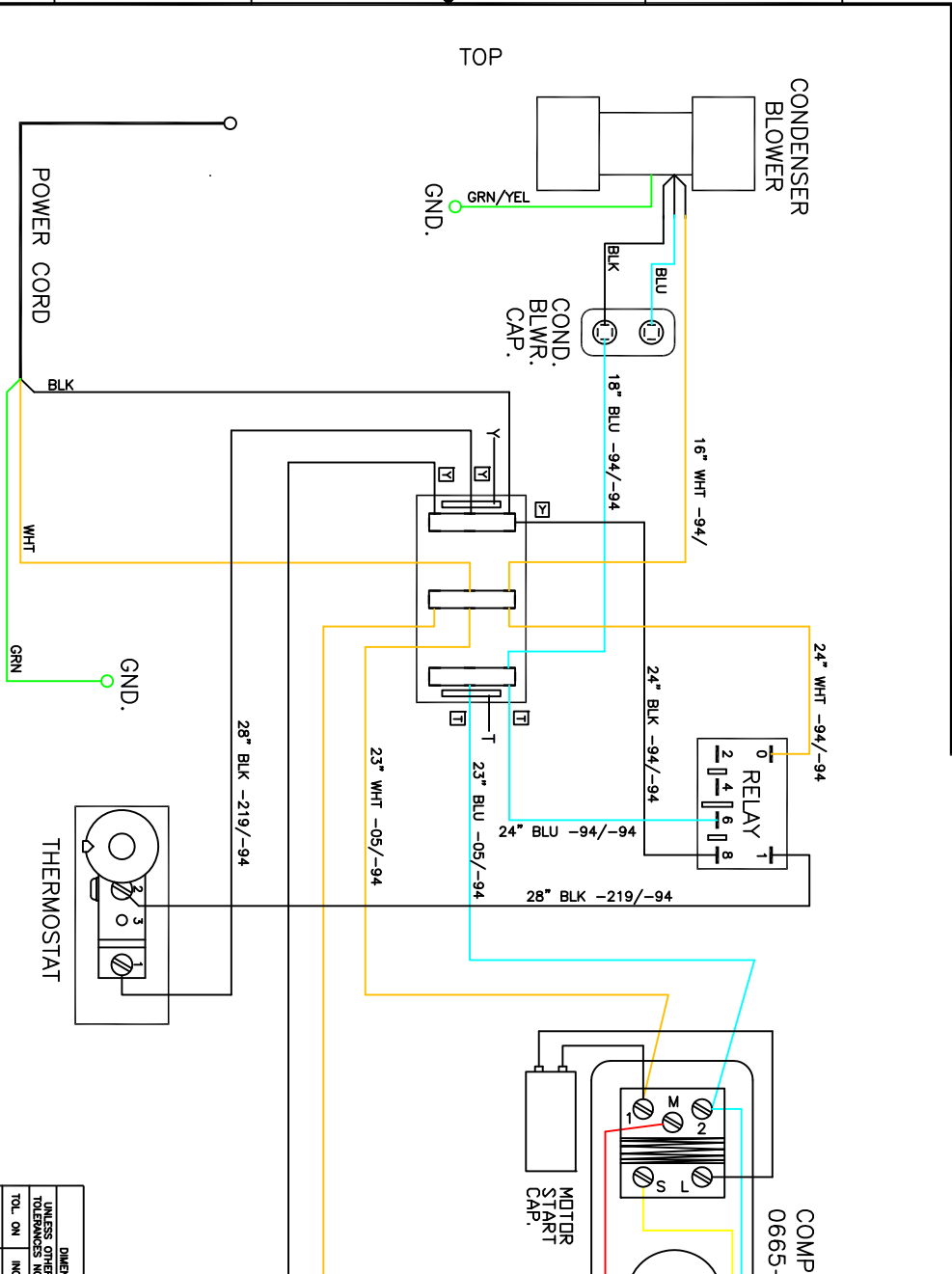


THIS DOCUMENT IS THE PROPERTY OF KOOLTRONIC, INC. AND CONTAINS PROPRIETARY AND CONFIDENTIAL INFORMATION WHICH MUST NOT BE DUPLICATED, USED OR DISCLOSED TO OTHERS, EXCEPT AS EXPRESSLY AUTHORIZED IN WRITING BY KOOLTRONIC, INC.



REVISIONS				
SYM	NOTICE	DESCRIPTION	DATE	APPROVED
-	EC 96/98	NEW DRAWING RELEASE	5/1/96	TJR
A	EC 98/104	REVISED WIRING TO MATCH MANUFACTURED UNITS & ADDED WIRE LENGTHS	7/22/96	JS
B	EC 05/056	ADDED 24\"/>		
C	EC 05/082	ADDED 24\"/>		
D	EC 06/017	(2) BLK 28\"/>		
E	EC 14/170	REMOVED SURGE SUPPRESSOR	9/30/14	LM/
F	EC 18/104	CHANGED WIRE TERMINAL LOCATIONS ON TERMINAL BLOCK	2/22/17	JS/SDS

ALL DIMENSIONS ARE IN INCHES. DIMENSIONS DESIGNATED MM ARE IN MILLIMETERS.			
TOLERANCES UNLESS OTHERWISE SPECIFIED	DRAWN	DATE	
TOLERANCES UNLESS OTHERWISE SPECIFIED	Steve Schriener	5/1/96	
TOL. ON INCHES	MM	ENG.	10/1/14
.XX	± .02	Joe Milko	10/2/14
.XXX	± .010	MFG. ENG.	
ANGULAR	± 1/2°		
MATERIAL			
UNIT	KA4C5-7P28R	APPROVED	10/2/14
		Joe Milko	
CODE IDENT. NO.	SIZE	DWG. NO.	REV.
06223	B	WD-241	F
SCALE 1/4"=1"	CAD. REF.	WD000128	SHEET 1 OF 1

KOOLTRONIC, INC.
 ROSENBLUM, NJ VERBODIA, CA USA

WIRING DIAGRAM
 AIR CONDITIONER