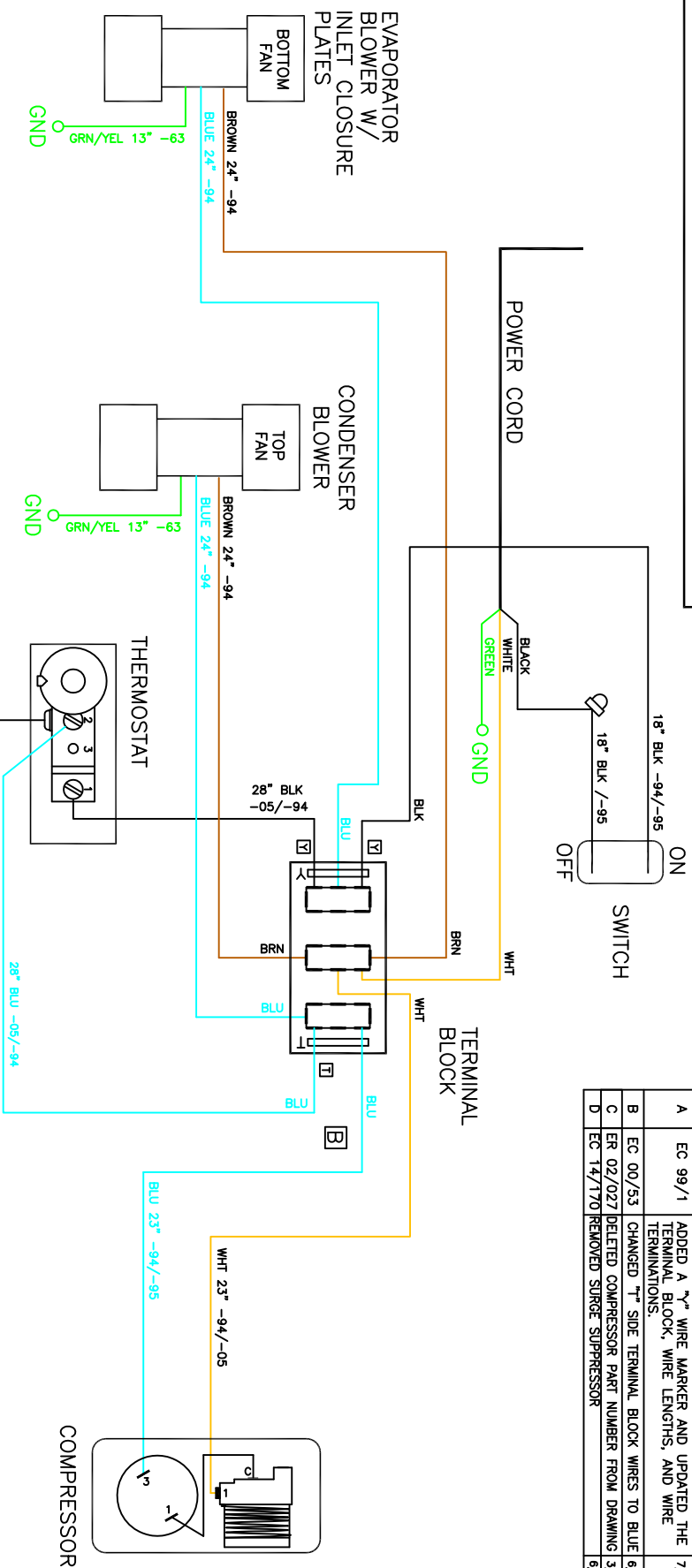


THIS DOCUMENT IS THE PROPERTY OF KOOLTRONIC, INC. AND CONTAINS PROPRIETARY AND CONFIDENTIAL INFORMATION WHICH MUST NOT BE DUPLICATED, USED OR DISCLOSED TO OTHERS, EXCEPT AS EXPRESSLY AUTHORIZED IN WRITING BY KOOLTRONIC, INC.



REVISIONS				
SYM	NOTICE	DESCRIPTION	DATE	APPROVED
-	EC 98/160	NEW DRAWING RELEASE	8/20/98	SDS
A	EC 99/1	ADDED A "w" WIRE MARKER AND UPDATED THE TERMINAL BLOCK, WIRE LENGTHS, AND WIRE TERMINATIONS.	7/23/99	WRM
B	EC 00/53	CHANGED "T" SIDE TERMINAL BLOCK WIRES TO BLUE	6/22/00	WRM
C	ER 02/027	DELETED COMPRESSOR PART NUMBER FROM DRAWING	3/20/02	JS
D	EC 14/170	REMOVED SURGE SUPPRESSOR	6/16/14	LM/

DIMENSIONS			
TOLERANCE	INCHES	MILLIMETERS	DATE
± .02	±	±	8/20/98
± .010	±	±	
± 1/2"	±	±	

DESIGNED	CHECKED	DATE
STEVE S.		8/20/98

DATE	APPROVED

CODE	ISSUE NO.	SIZE	DWG. NO.
06223	B		WD-402

SCALE	SHEET	OF
NONE	1	1



ROPERVILLE, NJ VERBODEN CA USA

WIRING DIAGRAM  
AIR CONDITIONER