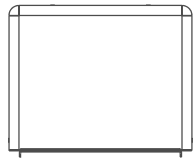
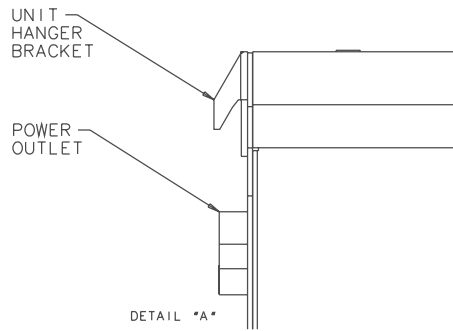


THIS DOCUMENT IS THE PROPERTY OF KOOLTRONIC, INC. AND CONTAINS PROPRIETARY AND CONFIDENTIAL INFORMATION WHICH MUST NOT BE DUPLICATED, USED OR DISCLOSED TO OTHERS, EXCEPT AS EXPRESSLY AUTHORIZED IN WRITING BY KOOLTRONIC, INC.

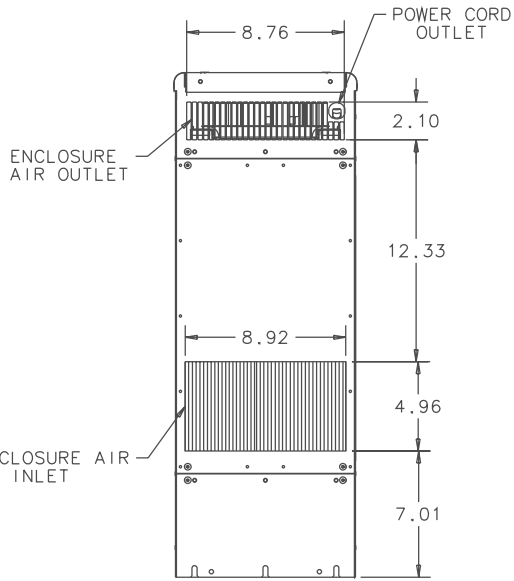
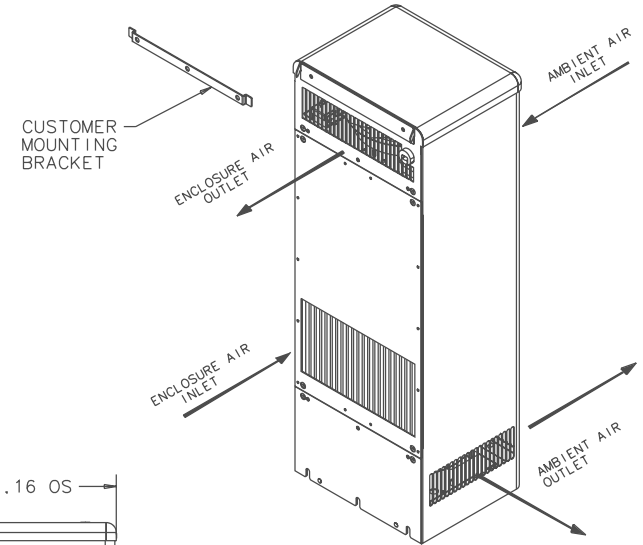
REVISIONS				
SYM	NOTICE	DESCRIPTION	DATE	APPROVED
-	ER 03/006	NEW DRAWING RELEASE	5/7/03	RDM
A	EC 07/202	MTG DIMS 5.00 WAS 5.21, 7.11 WAS 6.90	5/1/07	SDS/



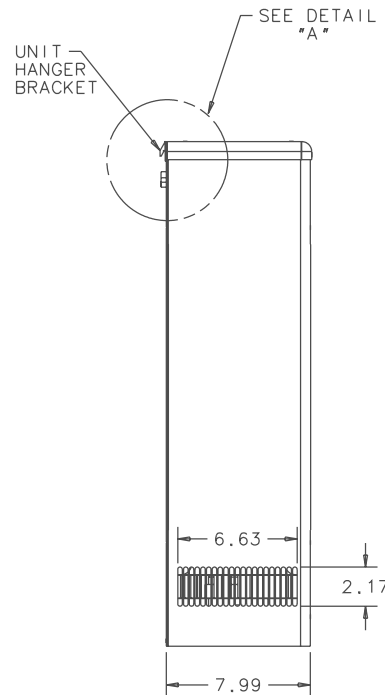
TOP



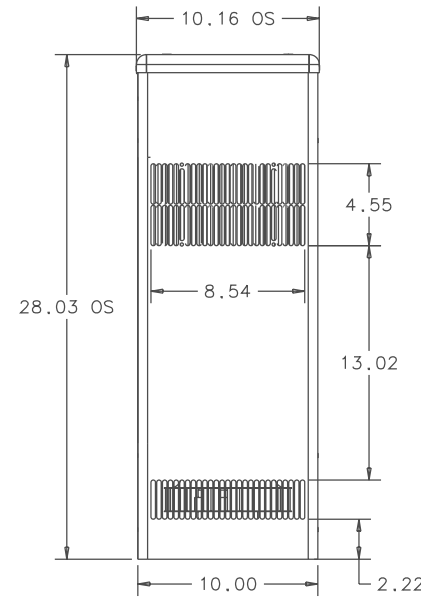
DETAIL "A"



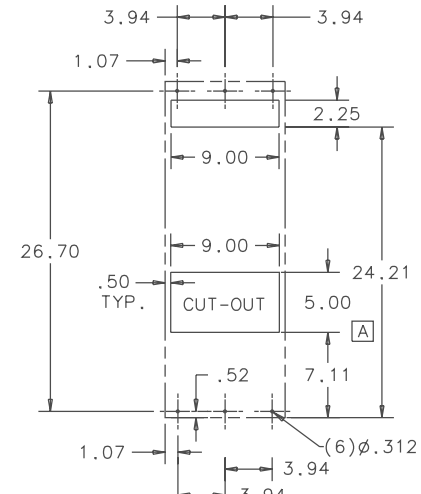
FRONT



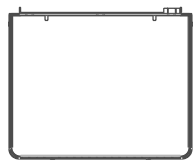
RIGHT SIDE




BACK



MOUNTING PLAN SCALE 1/8"=1



BOTTOM

ALL DIMENSIONS ARE IN INCHES. DIMENSIONS DESIGNATED MM ARE IN MILLIMETERS.				DRAWN		DATE		 HOPEWELL, NJ VENTURA, CA USA		
UNLESS OTHERWISE SPECIFIED TOLERANCES NON-ACCUMULATIVE				R. D. MOORE		5/7/03		TITLE GENERAL ARRANGEMENT KXRP28		
TOL. ON	INCHES	MM	CHECKED	JS	6/9/03					
.XX	± .02	±	ENG.	BM	11/14/03					
.XXX	± .010	±	MFG. ENG.							
ANGULAR	± 1/2°									
MATERIAL				APPROVED		CODE IDENT. NO.		SIZE	DWG. NO.	REV
UNIT KXRP28				BKK		06223		C	210028-00-01	A
				11/14/03		SCALE 3/16"=1		CAD. REF.		SHEET 1 OF