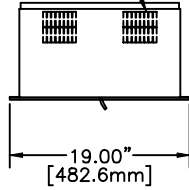
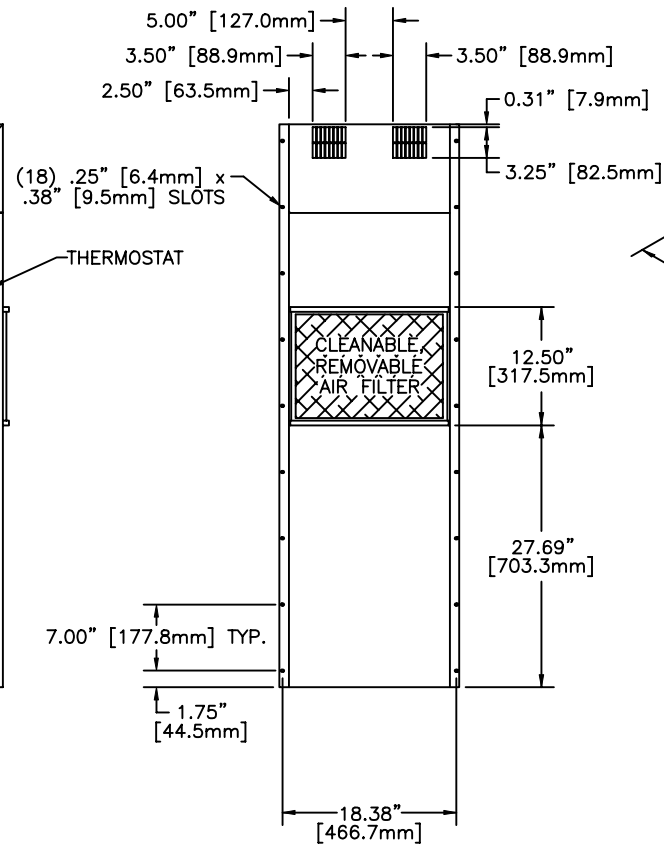
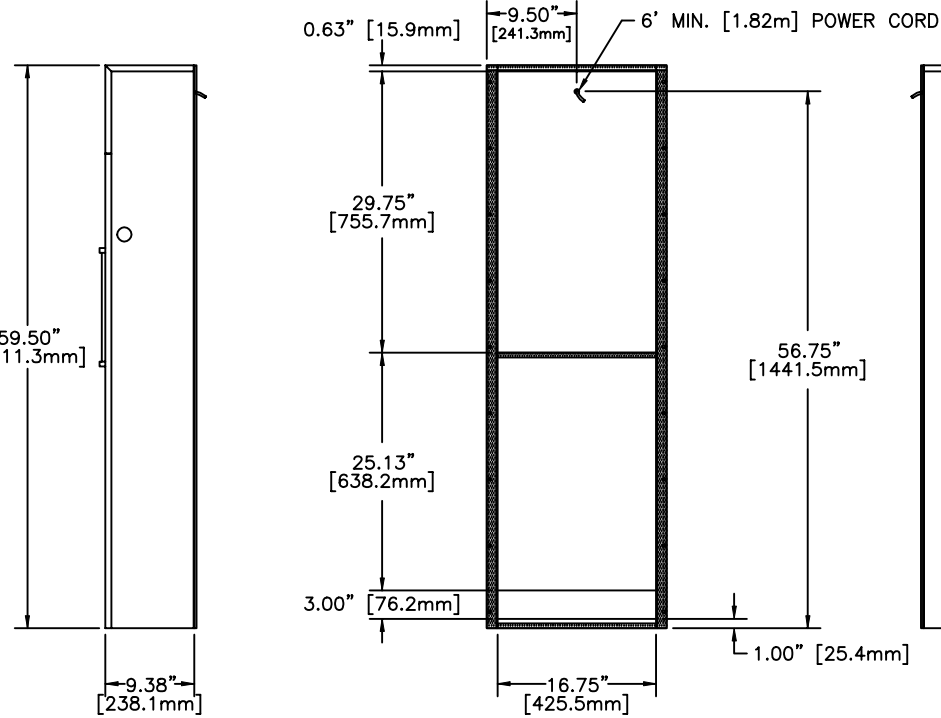
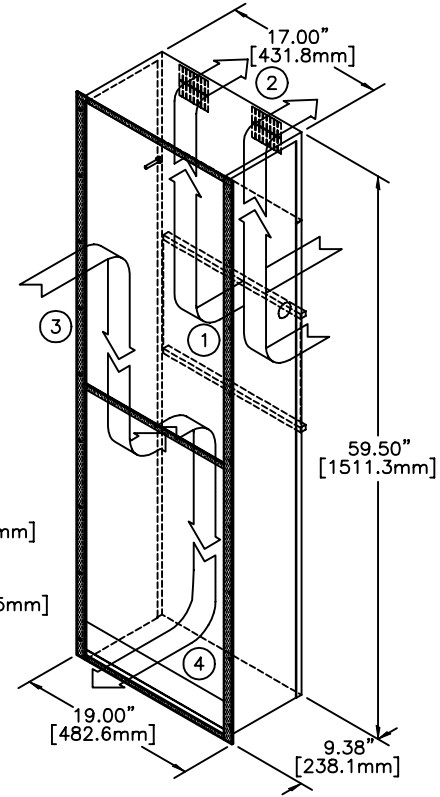


OPTIONAL
CONDENSER
OUTLET



- ① CONDENSER INLET (AMBIENT AIR IN)
- ② CONDENSER OUTLET (WARM AMBIENT AIR OUT)
- ③ WARM AIR RETURN FROM ELECTRONICS
- ④ COOL AIR OUTLET TO ELECTRONICS



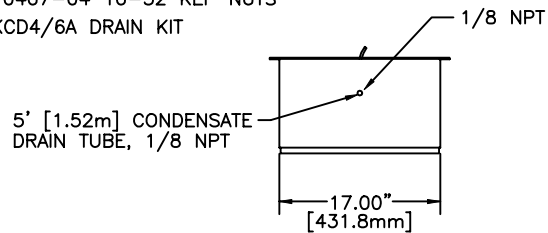
(18) .25" [6.4mm] x
.38" [9.5mm] SLOTS

THERMOSTAT

CLEANABLE
REMOVABLE
AIR FILTER

SHIP LOOSE

- (18) 0427-57-01 10-32 X 1 WASHER/SCREW ASSY
- (18) 0407-04 10-32 KEP NUTS
- (1) KCD4/6A DRAIN KIT



DIMENSIONS ARE FOR REFERENCE ONLY AND SUBJECT TO CHANGE.



57 HAMILTON AVE., P.O. BOX 300
HOPEWELL, NEW JERSEY 08525-0300
TEL: 609-486-3400 FAX: 609-486-1114

KA4C_P59R
PANEL MOUNT
AIR CONDITIONER

7/28/95 Bryan Zuber GA000177 B

THIS DOCUMENT IS PROPERTY OF KOOLTRONIC, INC. AND CONTAINS PROPRIETARY AND CONFIDENTIAL INFORMATION WHICH MUST NOT BE DUPLICATED, USED OR DISCLOSED OTHER THAN AS EXPRESSLY AUTHORIZED BY KOOLTRONIC, INC.