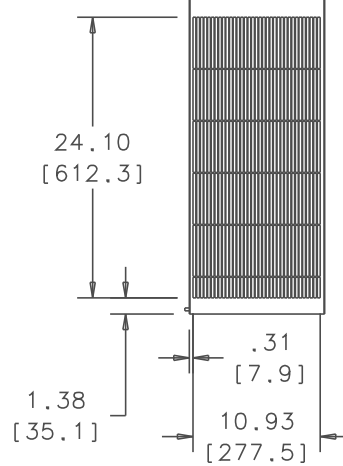
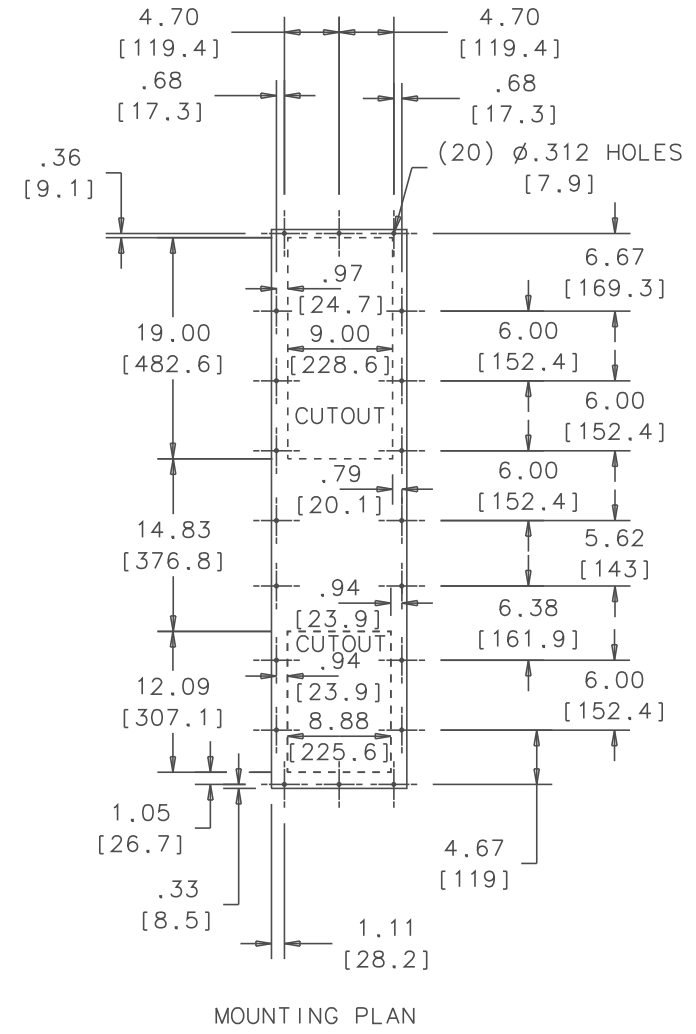
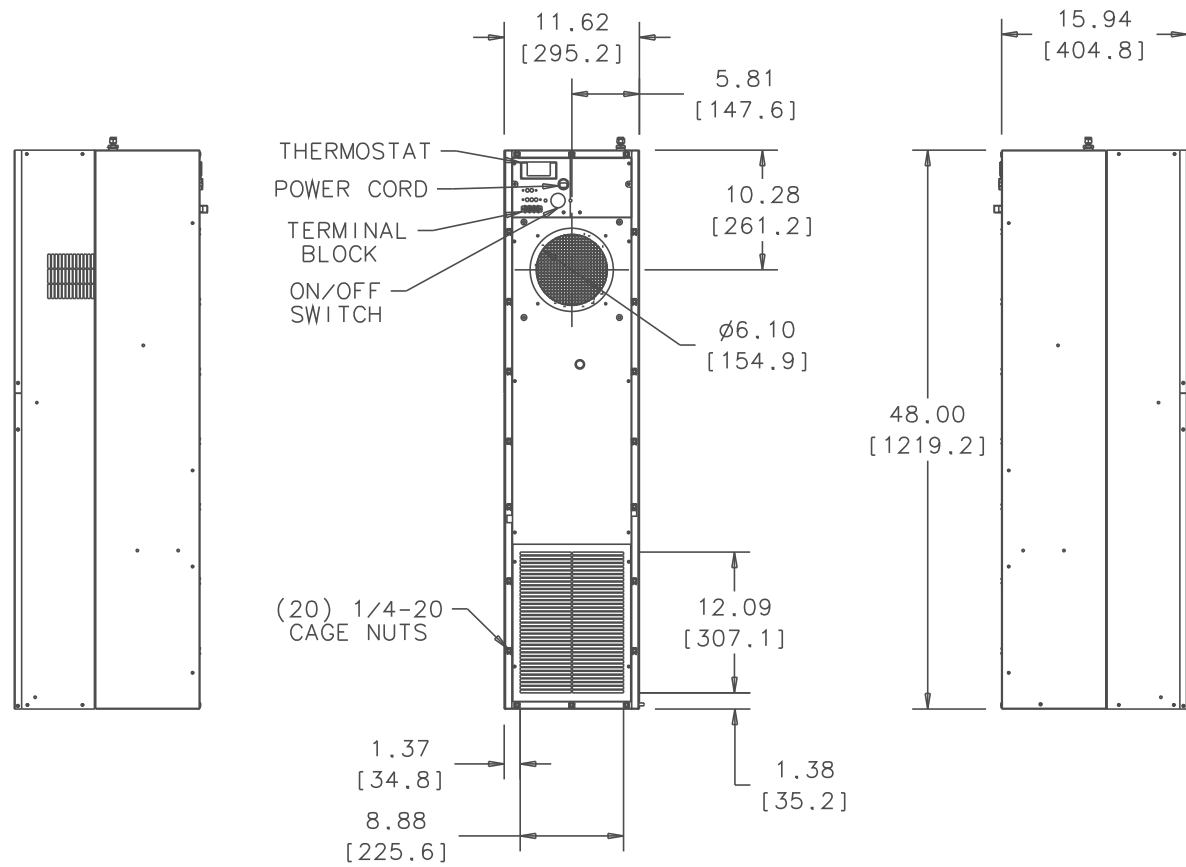
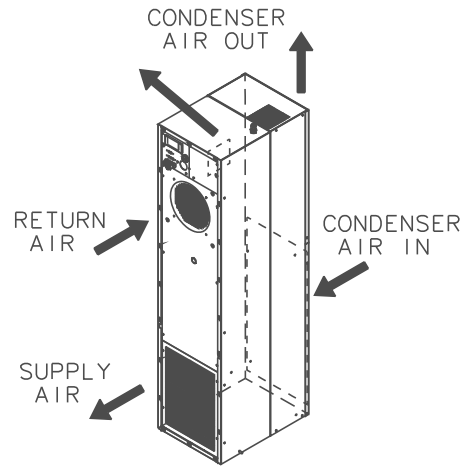
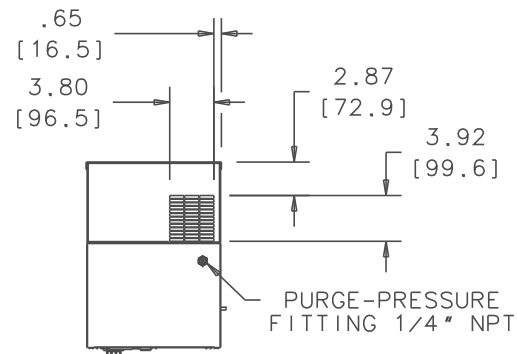


THIS DOCUMENT IS THE PROPERTY OF KOOLTRONIC, INC. AND CONTAINS PROPRIETARY AND CONFIDENTIAL INFORMATION WHICH MUST NOT BE DUPLICATED, USED OR DISCLOSED TO OTHERS, EXCEPT AS EXPRESSLY AUTHORIZED IN WRITING BY KOOLTRONIC, INC.

REVISIONS				
SYM	NOTICE	DESCRIPTION	DATE	APPROVED
-	ER 12/069	NEW DRAWING RELEASE.	4/7/14	DW-

A  
B  
C  
D  
E  
F

A  
B  
C  
D  
E  
F



UNLESS OTHERWISE SPECIFIED TOLERANCES NON-ACCUMULATIVE				DRAWN D. WALDRON DATE 4/7/14		KOOLOTRONIC, INC. PENNINGTON, NJ USA	
TOL. ON	INCHES	MM	CHECKED	ENG.	B. MUZIKANT	4/9/14	TITLE
.XX	± .02	±		MFG. ENG.			GENERAL ARRANGEMENT
.XXX	± .010	±					
ANGULAR	± 1/2°						
MATERIAL	SEE BOM						CODE IDENT. NO. 06223
UNIT	HL48		APPROVED				SIZE C DWG. NO. GA202048A
							SCALE .0937" = 1" CAD. REF. SHEET 1 OF 1