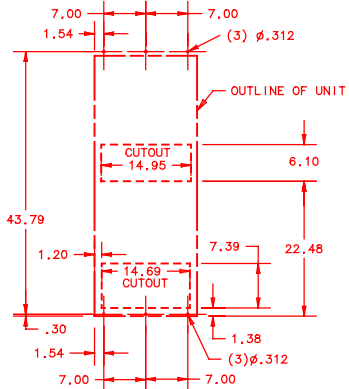


THIS DOCUMENT IS THE PROPERTY OF KOOLTRONIC, INC. AND CONTAINS PROPRIETARY AND CONFIDENTIAL INFORMATION WHICH MUST NOT BE DUPLICATED, USED OR DISCLOSED TO OTHERS, EXCEPT AS EXPRESSLY AUTHORIZED IN WRITING BY KOOLTRONIC, INC.

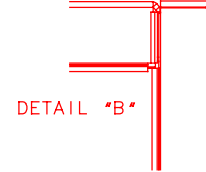
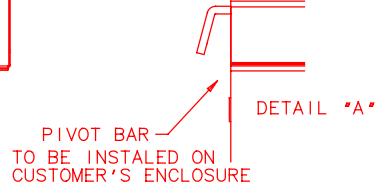
REVISIONS				
SYM	NOTICE	DESCRIPTION	DATE	APPROVED
-	ER 04/185	NEW DRAWING RELEASE	2/9/05	JS
A	ER 05/056	ADDED POWER SWITCH FOR UL UNIT	6/6/05	JS

INTERNAL MOUNTING PLAN



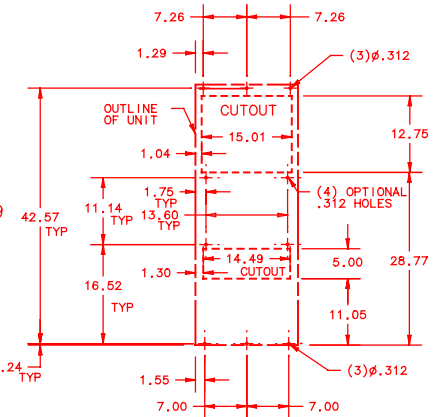
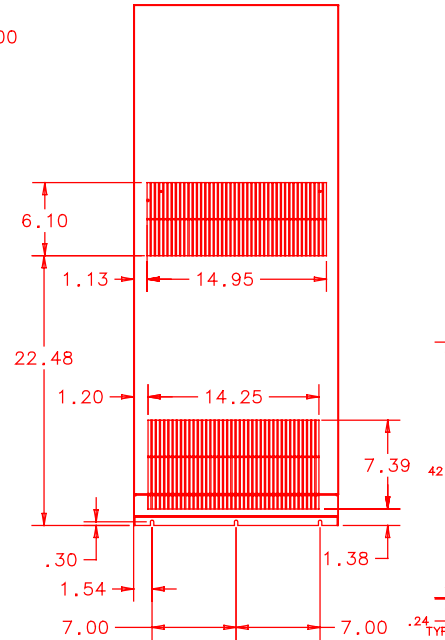
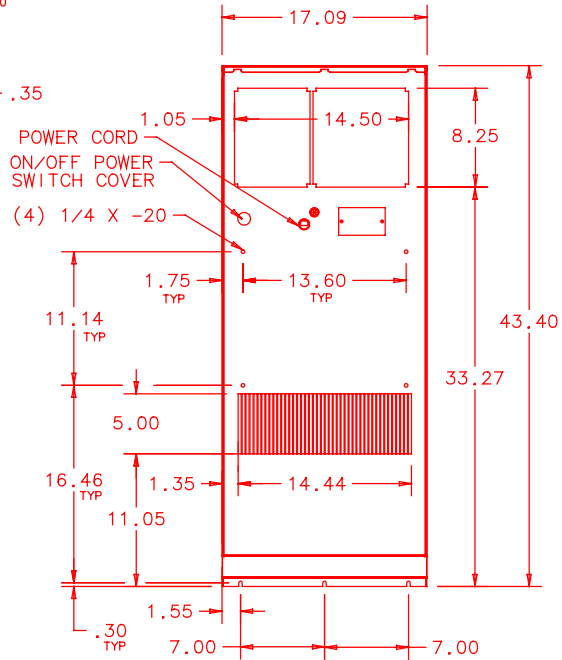
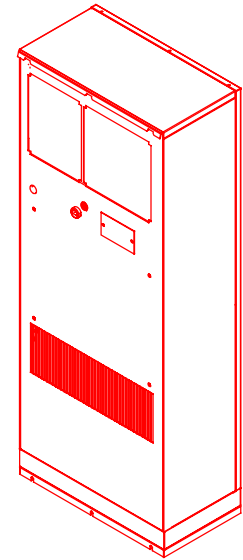
FOR EXTERNAL DOOR MOUNT:
MOUNT PIVOT BAR ASSEMBLY
ONTO OUTSIDE OF ENCLOSURE
DOOR

FOR INTERNAL DOOR MOUNT:
INSTALL MOUNTING BRACKET
USING EXISTING HARDWARE

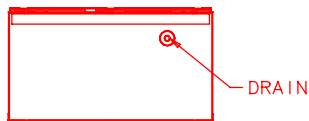


EXTERNAL DOOR MOUNT
SEE DETAIL "A"

INTERNAL DOOR MOUNT
SEE DETAIL "B"



EXTERNAL MOUNTING PLAN



ALL DIMENSIONS ARE IN INCHES. DIMENSIONS DESIGNATED MM ARE IN MILLIMETERS.			DRAWN JERRY STEDNICK		DATE 2/8/05
UNLESS OTHERWISE SPECIFIED TOLERANCES NON-ACCUMULATIVE			CHECKED		
TOL. ON	INCHES	MM	ENG.		
.XX	± .02	±			
.XXX	± .010	±	MFG. ENG.		
ANGULAR			± 1/2 °		
MATERIAL			APPROVED		
UNIT K_A_C7DP43L			CODE IDENT. NO. 06223		SIZE C
			DWG. NO. GA25500A		REV A
			SCALE 125=1		CAD. REF.
			SHEET		1 of 1



GENERAL ARRANGEMENT